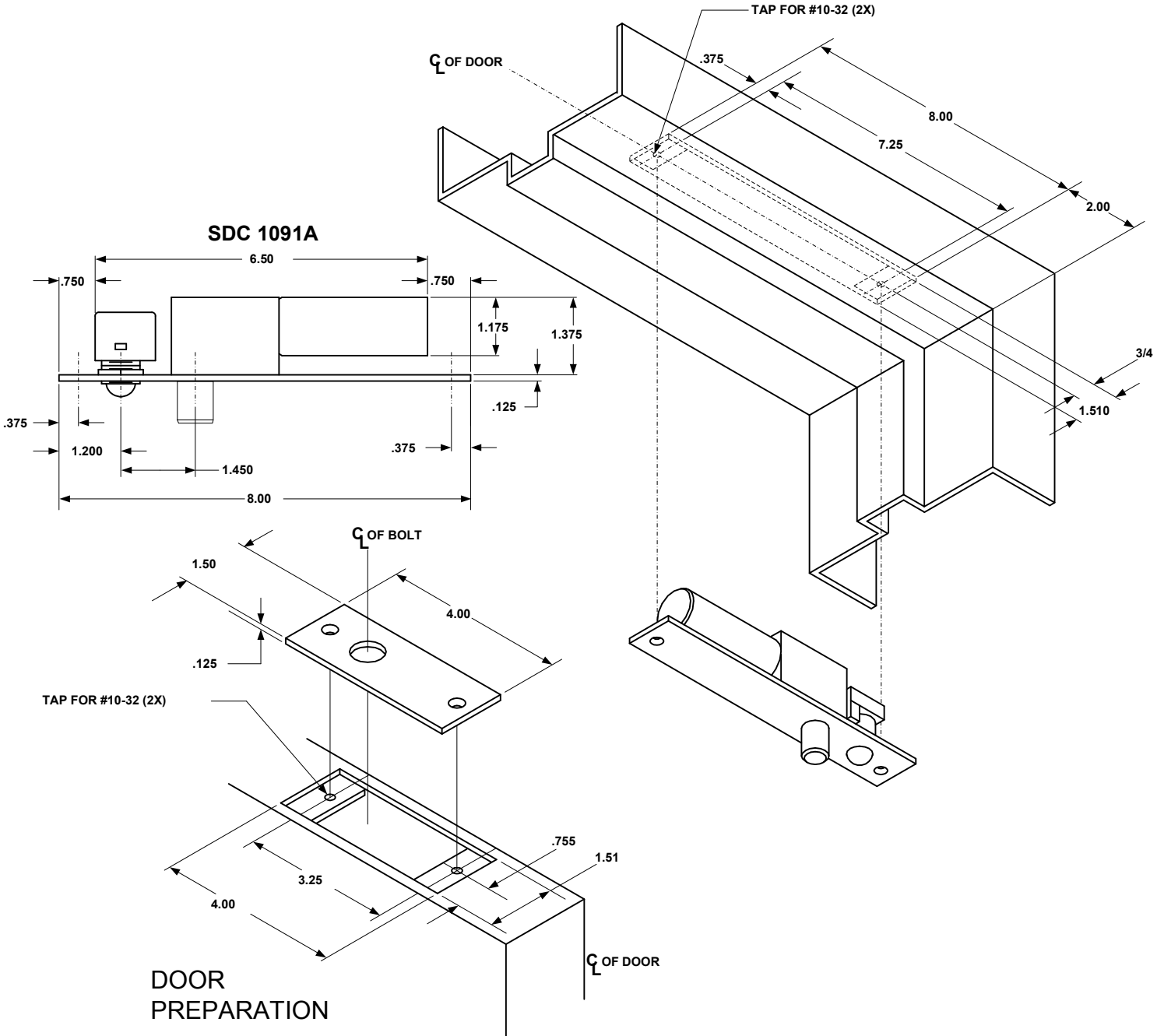




801 Avenida Acaso, Camarillo, Ca. 93012  
 • (805) 494-0622 • Fax: (805) 494-8861  
 www.sdcsecurity.com • E-mail: service@sdsecurity.com

Security Door Controls

**TEMPLATE-1091A  
 ELECTRIC BOLT LOCK**

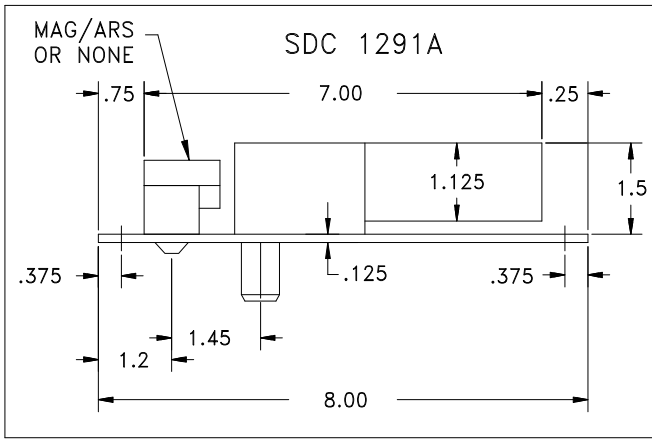


**NOTE: TEMPLATE DIMENSIONS ARE SUBJECT TO CHANGE WITHOUT NOTICE.**

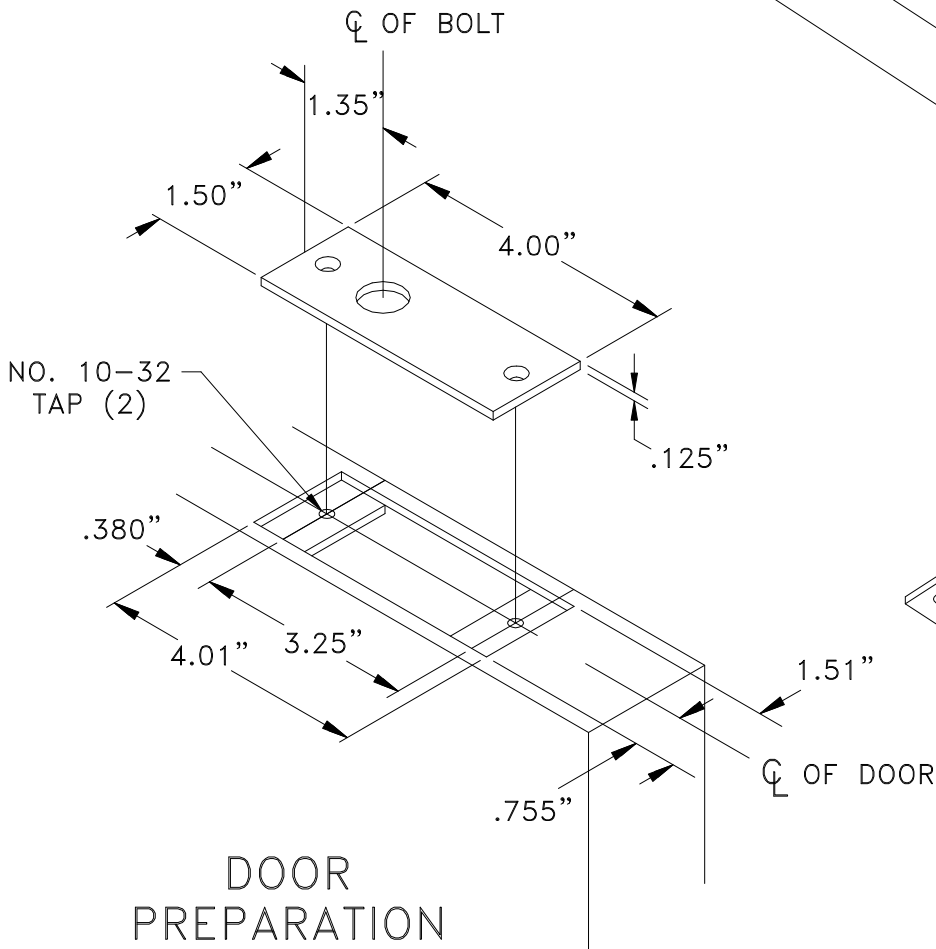
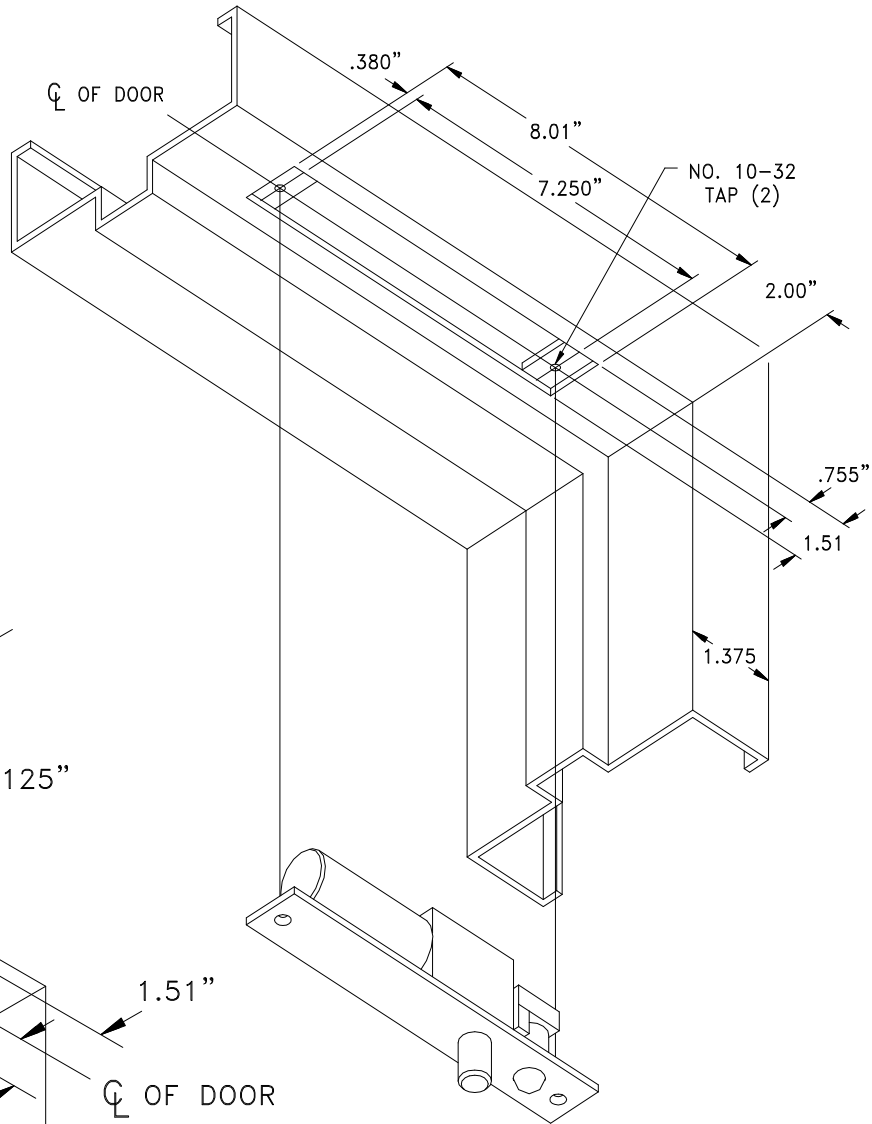
**TECHNICAL DATA (FOR STANDARD UNIT)**

- FACE PLATE:** 8" x 1-1/2" X 1/8"
- STRIKE:** 4" x 1-1/2" x 1/8"
- ID REQUIREMENTS:** 8" x 1-1/2" x 1-1/2"
- BOLT:** 5/8" DIA. SOLID STAINLESS STEEL
- BOLT THROW:** 3/4"

Any suggestions or comments to this instruction or product are welcome. Please contact us through our website or email [engineer@sdsecurity.com](mailto:engineer@sdsecurity.com)



**NOTE: CONSULT FACTORY FOR WOOD INSTALLATION.**  
**NOTE: TEMPLATE DIMENSIONS ARE SUBJECT TO CHANGE WITHOUT NOTICE.**



**TECHNICAL DATA (FOR STANDARD UNIT)**

**FACE PLATE:** 8" x 1-1/2" x 1/8"

**STRIKE:** 4" x 1-1/2" x 1/8"

**ID REQUIREMENTS:** 8" x 1-1/2" x 1-1/2"

**BOLT:** 5/8" DIA. SOLID STAINLESS STEEL

**BOLT THROW:** 3/4"

<b>SDC</b>	Security Door Controls
	801 Avenida Acaso,
	Camarillo, CA 93012
	(805) 494-0622
	Fax: (805) 494-8861
	www.sdcsecurity.com
	E-mail: service@sdcsecurity.com

**TEMPLATE**  
**1291A**

**ORIG. DATE**  
**08-95**

**DRAWING**  
**1736A**