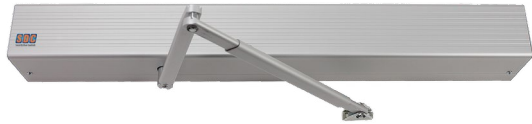


Hands Free Door Solution™

- ADA Compliant Electrified Exit Device Storefront Application -

1 AUTOS1 Low Energy Swing Door Operator



- Easy, One-Man Installation
- Single Button, Self-Tuning Setup
- Built-in 1 Amp Power Supply
- On-board Lock Sequencing
- Hold Open Feature

2 474 Touchless Switch



- WAVE-TO-OPEN
- IR Sensing Technology
- Wave Activation Up to 5"
- Illuminated Dual LED Sensor (RED/GREEN)

3 480 ADA Actuators



- PUSH-TO-OPEN Plates
- HDPE Antimicrobial Options
- Single or Double Gang
- Round and Narrow Options
- Recessed, Surface, and Bollard Mounting

4 920P Access Control Keypad



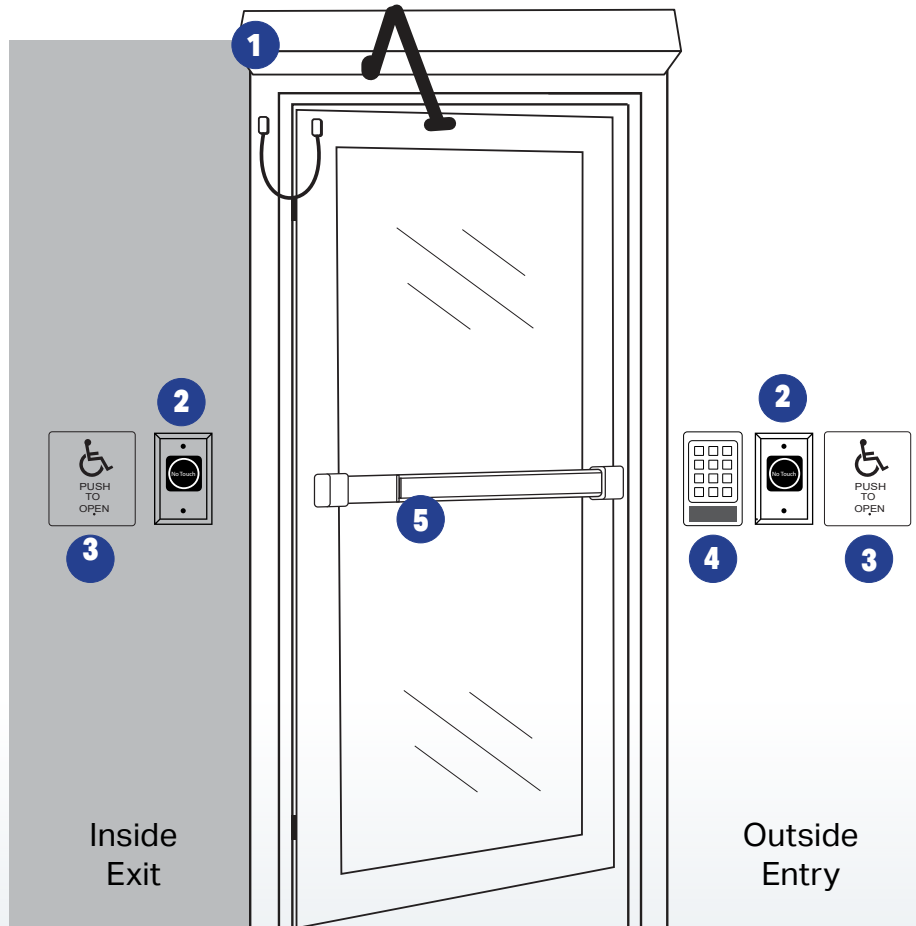
- Built-in Prox Reader
- Indoor/Outdoor Use
- Surface or Single-Gang Mount
- Heavy Cast Vandal Resistant Housing

5 S5100 Electrified Exit Device



- Motorized Electric Latch Retraction and Dogging
- Request-To-Exit REX Monitoring Optional
- Aluminum Glass Door Applications

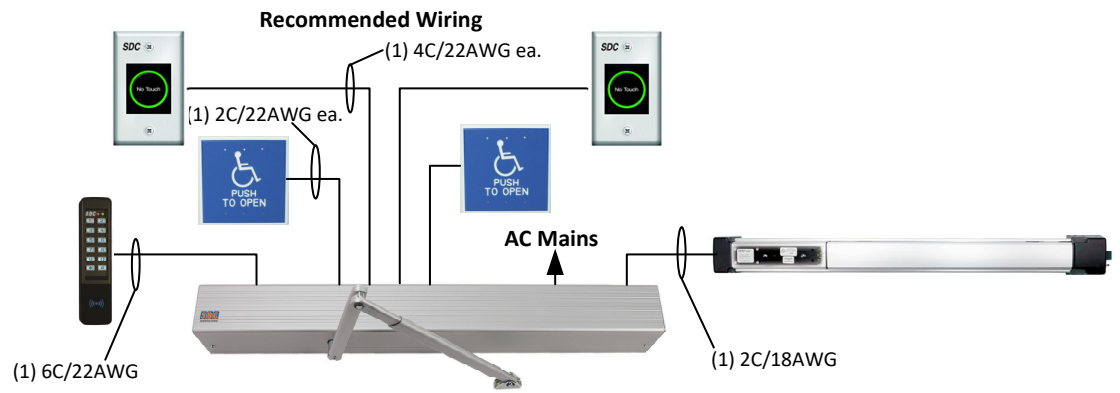
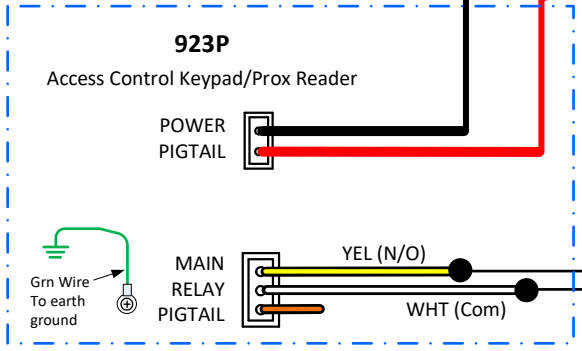
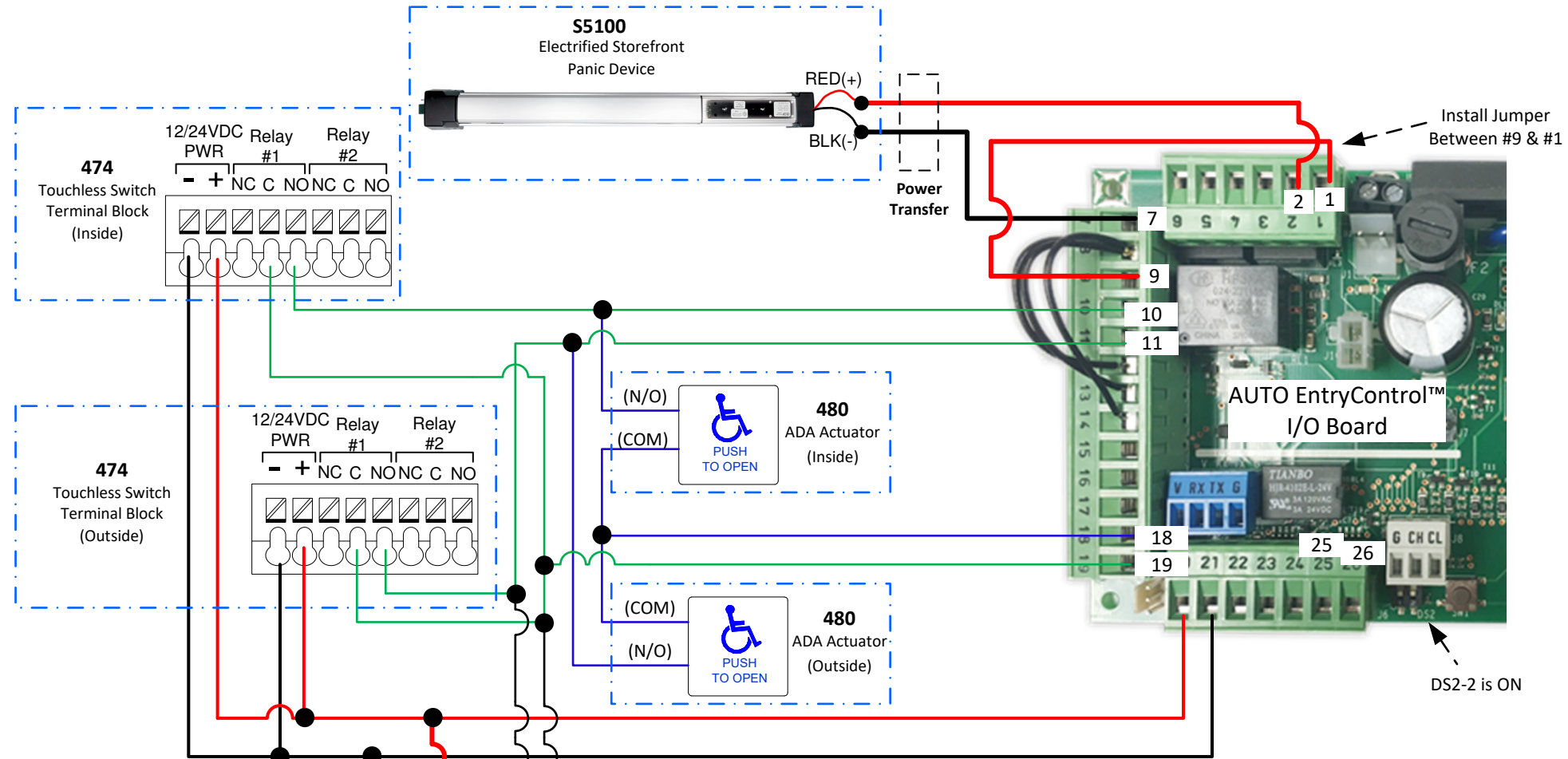
Requires Power Transfer Device Such as our PT-3



The Hands Free Door Solution™ Provides:

- Hands Free Convenience
- Hands Free Code Compliance
- Hands Free Hygiene and Contamination Control

Even with National ANSI and ADA Standards, Building Code Enforcement relating to Automatic Doors and Switch Placement varies across the country. Consult your local Authority Having Jurisdiction (AHJ) for compliance requirements.



© 2020 Security Door Controls Printed in U.S.A

SDC Security Door Controls
 801 Avenida Acaso
 Camarillo, CA 93012
 † 805.494.0622 ~ † 805.494.8861
 www.sdcsecurity.com

NOTE: ALL WIRING MUST BE REVIEWED AND APPROVED BY THE PROJECT ENGINEER ASSIGNED TO THE LOCATION FOR ITS CORRECTNESS AND SUITABILITY FOR THE APPLICATION IN THE WHICH THE EQUIPMENT IS INSTALLED AND OPERATED. ALL WIRING MUST CONFORM TO NATIONAL, STATE, AND LOCAL CODES FOR CLASS 2 FIRE PROTECTION AND CONTROL DEVICES.

PROJECT NAME: -		TITLE: Hands Free Door Solution – S5100		SO NO.: -	REV -
LOCATION:.	DIST.:	CONTACT:	DATE:	DRAWN BY:	DWG. NO.: XXXX