



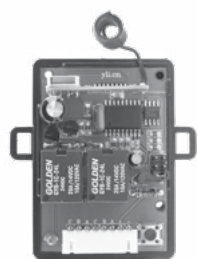
SDC's WRC Series 2-Channel wireless transmitter/receiver solution is specifically designed to be used as a receptionist button or remote release for single or dual door access control applications.



**433MHZ 2-BUTTON PENDANT TRANSMITTER** LIST

- **Operates with 400WRC-R2**
- **Frequency:** 433.92MHz
- **Housing:** Keychain type
- **Voltage:** 6VDC
- **Battery Replacement:** – CR2016 Button Cell 3V Lithium battery (x 2)
- **Transmitting distance:** 160 feet (no obstructions)
- **Activation:** Hold "A" or "B" button for 1 sec.

Model	Description	
WRC-2B	433MHz 2-Button Pendant Wireless Transmitter	54.00



**433MHZ 2-CHANNEL RECEIVER** LIST

- **Size with housing (approx.):** 2.5" H x 1.75" W x 1.2" D
- **Frequency:** 433.92MHz
- **Environmental:** Indoor
- **Operating Temperature:** -22°F – 140°F
- **Input Voltage:** 24VDC
- **Current consumption:** 9mA @24VDC (standby); 46mA (max)
- **Relay Outputs:** Two (2) Dry, Form C (SPDT)
- **Contact rating:** 10A@30VDC (resistive)
- **Wiring connections:** 12", 8-wire pigtail
- **Transmitter coding capacity:** 30 (fixed code)
- **Transmitter programming using onboard learning button and status LED**

Model	Description	
WRC-R2	433MHz 2-Channel Wireless Receiver	87.00



**Communicating Bathroom Controls**



CB401-A  
CB402-A



CB401-B  
CB402-B

**EmLock®**

<b>CB401-AU</b>	Communicating bath switch, 630 Stainless Steel finish.	<b>128.00</b>
<b>CB401-B</b>	Emergency access switch, red. 2 Required	<b>134.00</b>
<b>CB701</b>	Emergency key switch, red	<b>167.00</b>

**Electrified Lockset, HiTower® , or Strike Application**

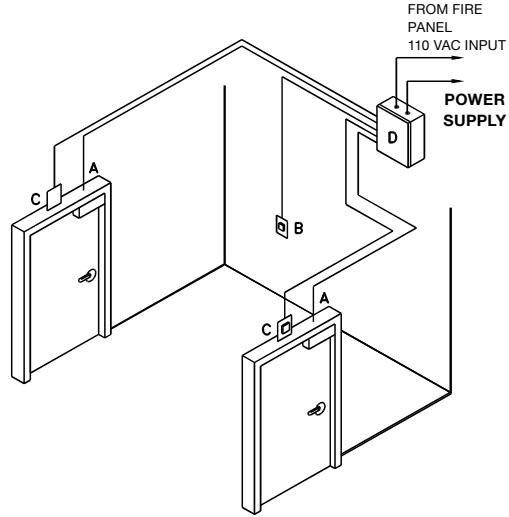
<b>CB402-A</b>	Communicating bath switch, U 630 Stainless Steel finish.	<b>128.00</b>
<b>CB402-B</b>	Emergency access switch, red. 2 Required	<b>134.00</b>
<b>CB702</b>	Emergency key switch, red	<b>167.00</b>



CB400-A



CB400-B



**Package Components:**

- (2) Electrified Locking Devices (Mortise, Cylindrical or ElectroMagnetic)
- (1) 1.5 Amp Power Supply with Universal Relay Module (631RFXUR1)
- (2) Emergency Access Push Button Switches (CB400-B)
- (1) System Activation Push Button Switch (CB400-A)
- (2) Build-in Latch or Door Position Status Sensors (DPS , L)
- (2) Power Transfer Hinges\* \*(not required for EMLocks) (PTH)

Every Shared Bathroom Package also includes a Riser Diagram, Components List, Method of Operation and Wiring Diagram to help you determine the materials and installation costs to complete your project bid.

**Mortise Lock Option**

<b>CBP-ME-78</b>	Communicating bath package with Eclipse style mortise Lock (Z7850LQDE)	<b>2,892.00</b>
------------------	--	-----------------

<b>CBP-MG-78</b>	Communicating bath package with Galaxy style mortise Lock (Z7850LQDG)	<b>2,892.00</b>
------------------	---	-----------------

**Cylindrical Lock Option**

<b>CBP-CE-72</b>	Communicating bath package with Eclipse style cylindrical Lock (Z7250EQ)	<b>2,073.00</b>
------------------	--	-----------------

<b>CBP-CG-72</b>	Communicating bath package with Galaxy style cylindrical Lock (Z7250GQ)	<b>2,073.00</b>
------------------	---	-----------------

**EmLock® Option**

<b>CBP-EM-81</b>	Communicating bath package with 650lb EMLock locking device (1581VD)	<b>1,673.00</b>
------------------	--	-----------------

<b>CBP-EM-71</b>	Communicating bath package with 1200lb EMLock locking device (1571VD)	<b>1,830.00</b>
------------------	---	-----------------

<b>CBP-EM-11</b>	Communicating bath package with 1650lb EMLock locking device (1511VD)	<b>1,896.00</b>
------------------	---	-----------------