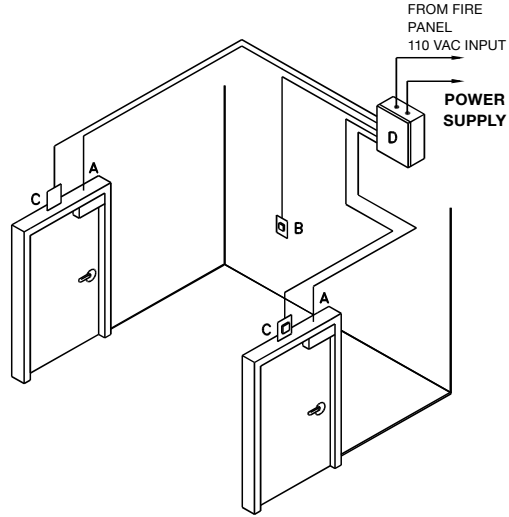




CB400-A



CB400-B



Package Components:

- (2) Electrified Locking Devices (Mortise, Cylindrical or ElectroMagnetic)
- (1) 1.5 Amp Power Supply with Universal Relay Module (631RFXUR1)
- (2) Emergency Access Push Button Switches (CB400-B)
- (1) System Activation Push Button Switch (CB400-A)
- (2) Build-in Latch or Door Position Status Sensors (DPS , L)
- (2) Power Transfer Hinges* *(not required for EMLocks) (PTH)

Every Shared Bathroom Package also includes a Riser Diagram, Components List, Method of Operation and Wiring Diagram to help you determine the materials and installation costs to complete your project bid.

Mortise Lock Option

CBP-ME-78 Communicating bath package with Eclipse style mortise Lock (Z7850LQDE) **2,892.00**

CBP-MG-78 Communicating bath package with Galaxy style mortise Lock (Z7850LQDG) **2,892.00**

Cylindrical Lock Option

CBP-CE-72 Communicating bath package with Eclipse style cylindrical Lock (Z7250EQ) **2,073.00**

CBP-CG-72 Communicating bath package with Galaxy style cylindrical Lock (Z7250GQ) **2,073.00**

EmLock® Option

CBP-EM-81 Communicating bath package with 650lb EMLock locking device (1581VD) **1,673.00**

CBP-EM-71 Communicating bath package with 1200lb EMLock locking device (1571VD) **1,830.00**

CBP-EM-11 Communicating bath package with 1650lb EMLock locking device (1511VD) **1,896.00**