

EMLock EZ Kits

Field Upgradeable Option Modules for 1511, 1513, 1571, 1573

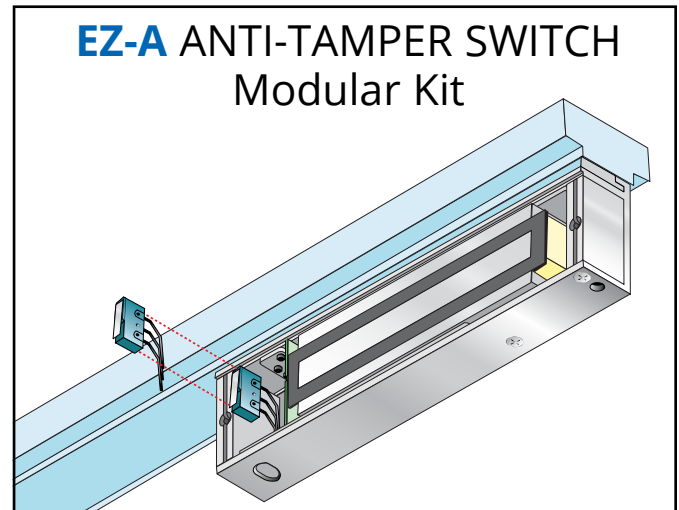
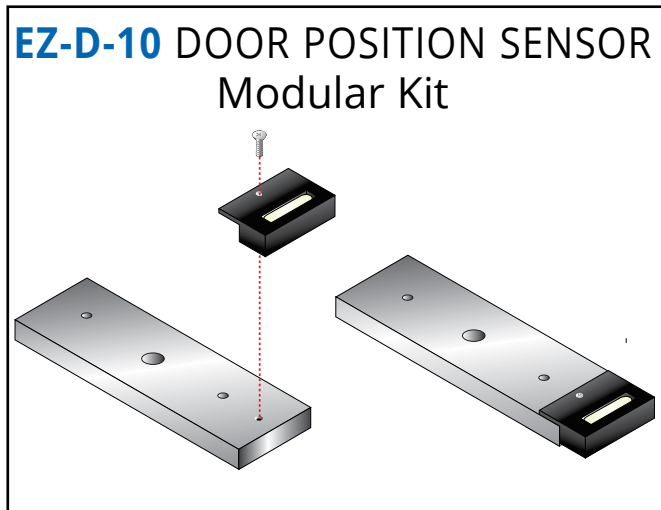
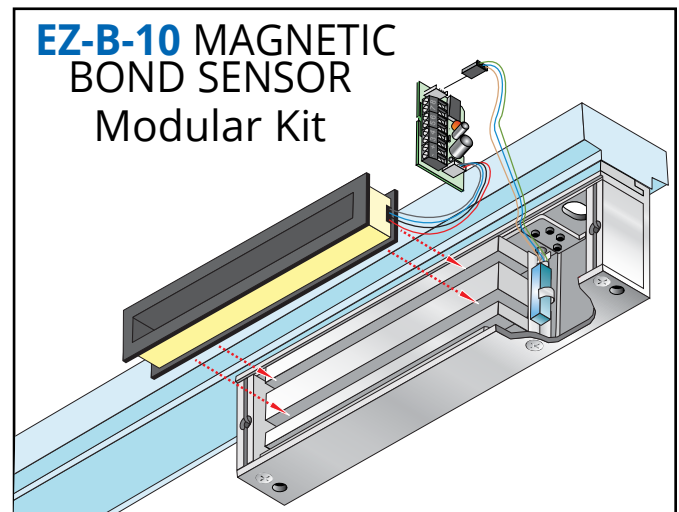
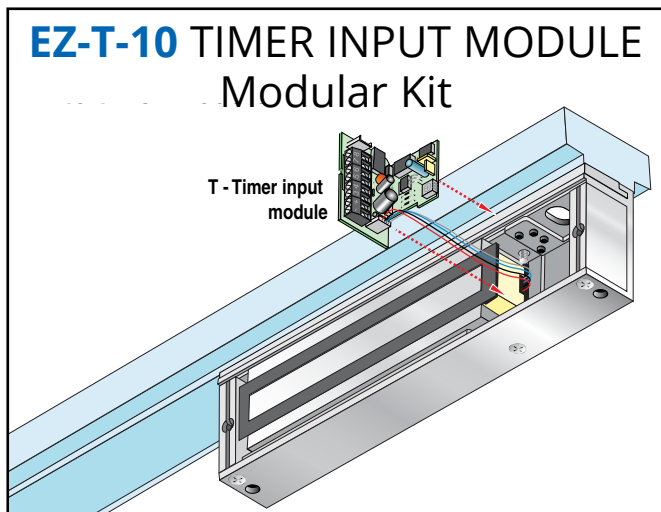
SDC's patented EMLock design represents the pinnacle of magnetic lock evolution.

The modular EMLock assembly makes them easy to stock, install, upgrade and maintain.



FIELD UPGRADE

- Relock Delay Timer
- Magnetic Bond Sensor
- Door Status Sensors
- Anti-Tamper Switch
- Holding Force Upgrade
- Energy Saver Upgrade



Field Upgradeable by Distributors, Installers and Maintenance Staff

No need to ever remove a lock from the frame to upgrade or exchange internal components.

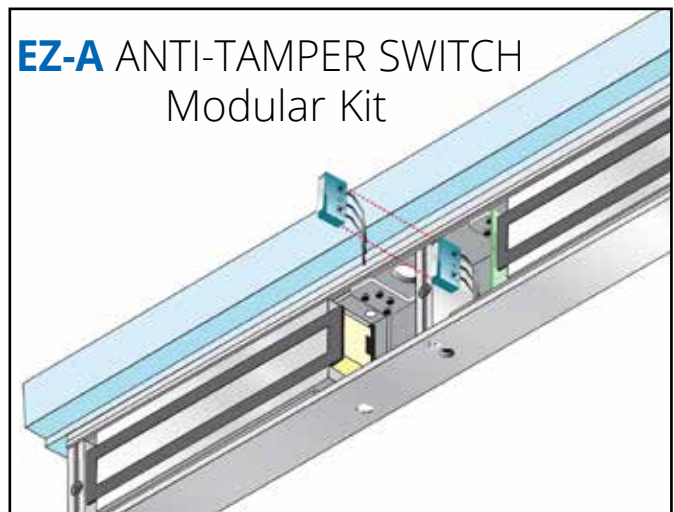
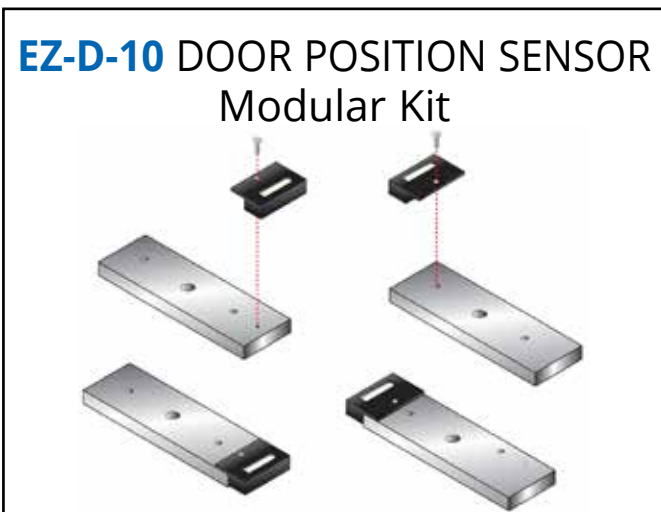
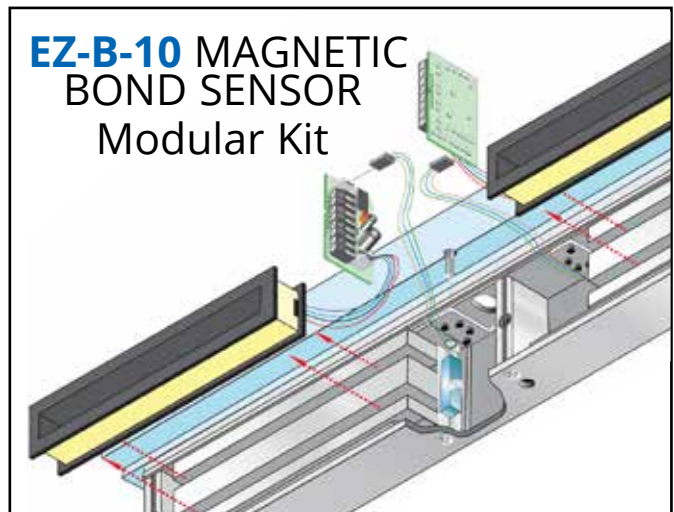
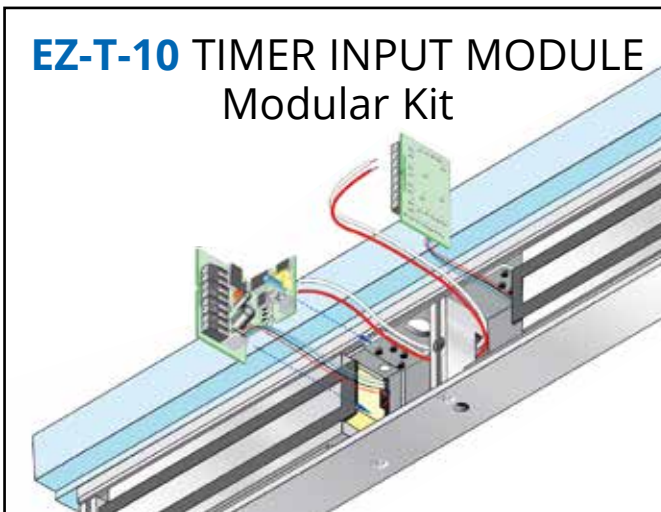
EMLock EZ Upgrade Kits

Field Upgradeable Option Modules for 1512 and 1572

SDC's patented EMLock design represents the pinnacle of magnetic lock evolution. The modular EMLock assembly makes them easy to stock, install, upgrade and maintain.

FIELD UPGRADE

- Relock Delay Timer
- Magnetic Bond Sensor
- Door Status Sensors
- Anti-Tamper Switch
- Holding Force Upgrade
- Energy Saver Upgrade



Field Upgradeable by Distributors, Installers and Maintenance Staff

No need to ever remove a lock from the frame to upgrade or exchange internal components.

