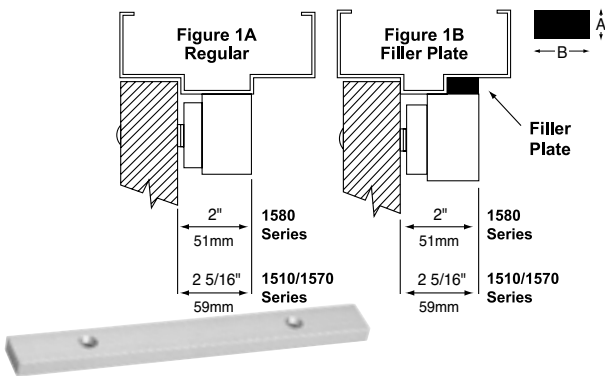


## Filler Plates

Distributor Discount Code **GK**



**FILLER PLATES:** For extension of the stop to provide a proper mounting surface on the underside of the header. See Figure 1B.

### FOR 8-3/4" (222mm) SINGLE EMLOCK MODELS

**GK**

1581, 1581DEV

PART #	A x B	LIST
FP01	1/8" x 1-1/4" (3 x 32mm)	33.00
FP02	1/4" x 1-1/4" (6 x 32mm)	36.00
FP03	3/8" x 1-1/4" (10 x 32mm)	38.00
FP04	1/2" x 1-1/4" (13 x 32mm)	40.00
FP05	5/8" x 1-1/4" (16 x 32mm)	40.00

### FOR 11" (279mm) SINGLE EMLOCK MODELS

1511 1571 1511S 1511DEV 1581S  
1513 1573 1511T 1571DEV

PART #	A x B	LIST
FP11	1/8" x 1-1/4" (3 x 32mm)	37.00
FP12	1/4" x 1-1/4" (6 x 32mm)	38.00
FP13	3/8" x 1-1/4" (10 x 32mm)	38.00
FP14	1/2" x 1-1/4" (13 x 32mm)	42.00
FP15	5/8" x 1-1/4" (16 x 32mm)	44.00

### FOR 17-1/2" (445mm) DOUBLE EMLOCK MODEL

1582

PART #	A x B	LIST
FP30	1/8" x 1-1/4" (3 x 32mm)	42.00
FP31	1/4" x 1-1/4" (6 x 32mm)	44.00
FP32	3/8" x 1-1/4" (10 x 32mm)	46.00
FP33	1/2" x 1-1/4" (13 x 32mm)	48.00
FP34	5/8" x 1-1/4" (16 x 32mm)	50.00

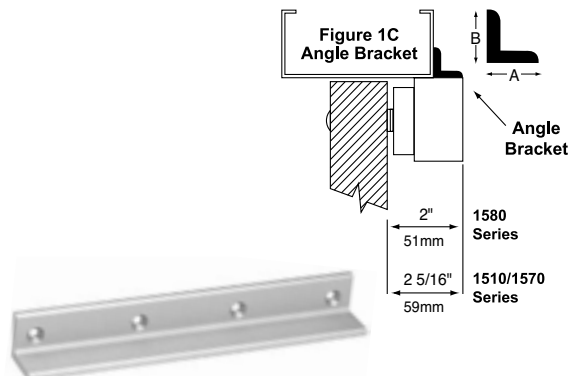
### FOR 22" (559mm) DOUBLE EMLOCK MODELS

1512 1572

PART #	A x B	LIST
FP21	1/8" x 1-1/4" (3 x 32mm)	42.00
FP22	1/4" x 1-1/4" (6 x 32mm)	44.00
FP23	3/8" x 1-1/4" (10 x 32mm)	46.00
FP24	1/2" x 1-1/4" (13 x 32mm)	48.00
FP25	5/8" x 1-1/4" (16 x 32mm)	50.00

## Angle Brackets

Distributor Discount Code **GK**



**ANGLE BRACKETS:** Used as extension on shallow door frames to provide adequate mounting surface. See Figure 1C.

### FOR 8-3/4" (222mm) SINGLE EMLOCK MODELS

**GK**

1581, 1581DEV

PART #	A x B	LIST
AB01	1" x 1" (25 x 25mm)	42.00
AB02	1" x 1-1/2" (25 x 38mm)	44.00
AB03	1-1/2" x 1-1/2" (38 x 38mm)	46.00
AB04	2" x 1-1/2" (51 x 38mm)	48.00

### FOR 11" (279mm) SINGLE EMLOCK MODELS

1511 1571 1511S 1511DEV 1581S  
1513 1573 1511T 1571DEV

PART #	A x B	LIST
AB11	1" x 1" (25 x 25mm)	44.00
AB12	1" x 1-1/2" (25 x 38mm)	46.00
AB13	1-1/2" x 1-1/2" (38 x 38mm)	48.00
AB14	2" x 1-1/2" (51 x 38mm)	50.00

### FOR 17-1/2" (445mm) DOUBLE EMLOCK MODEL

1582

PART #	A x B	LIST
AB30	1" x 1" (25 x 25mm)	54.00
AB31	1" x 1-1/2" (25 x 38mm)	58.00
AB32	1-1/2" x 1-1/2" (38 x 38mm)	63.00
AB33	2" x 1-1/2" (51 x 38mm)	67.00

### FOR 22" (559mm) DOUBLE EMLOCK MODELS

1512 1572

PART #	A x B	LIST
AB21	1" x 1" (25 x 25mm)	54.00
AB22	1" x 1-1/2" (25 x 38mm)	58.00
AB23	1-1/2" x 1-1/2" (38 x 38mm)	63.00
AB24	2" x 1-1/2" (51 x 38mm)	67.00

### SPECIFY FINISH

Add to List

	Single EmLock	Double EmLock
<b>V</b> 628 Aluminum (standard)	N/C	N/C
<b>Y</b> 335 Black Anodized	33.00	65.00
<b>Powder Coat Finishes</b> (a coating electrostatically applied to form a hard finish, that is tougher than conventional paint)		
<b>X</b> Dark Bronze Powder Coat Painted	33.00	65.00
<b>C</b> Brass Powder Coat Painted	33.00	65.00
<b>Plated Finishes - Special order, no cancellation, no returns</b>		
<b>P</b> 625 Bright Chrome	33.00	65.00
<b>Q</b> 626 Dull Chrome	33.00	65.00