

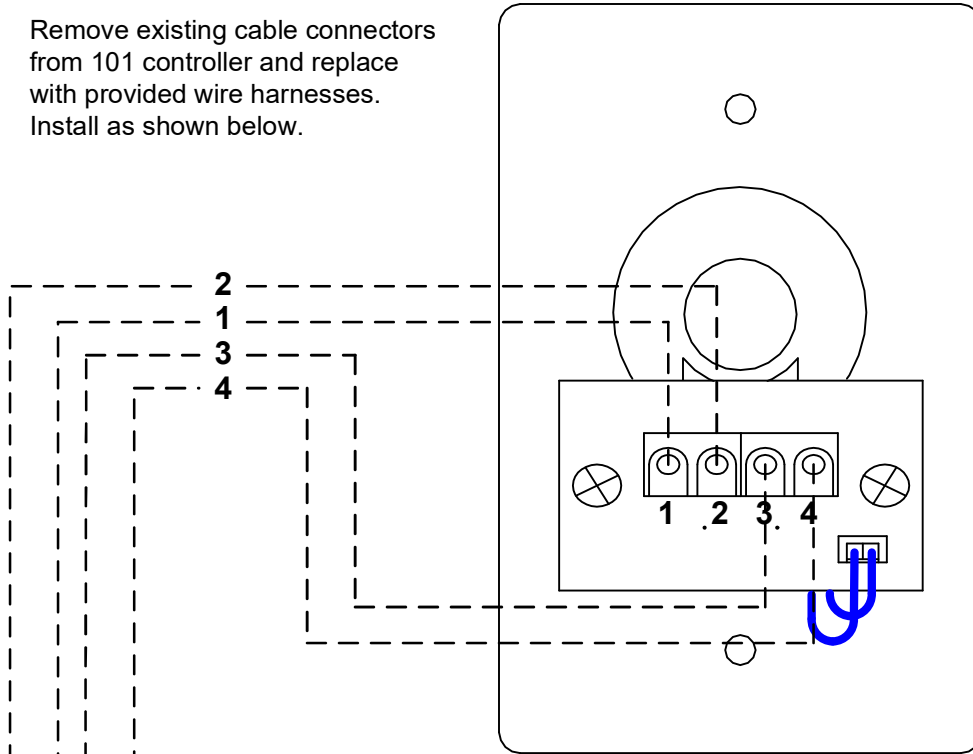


INSTALLATION INSTRUCTIONS

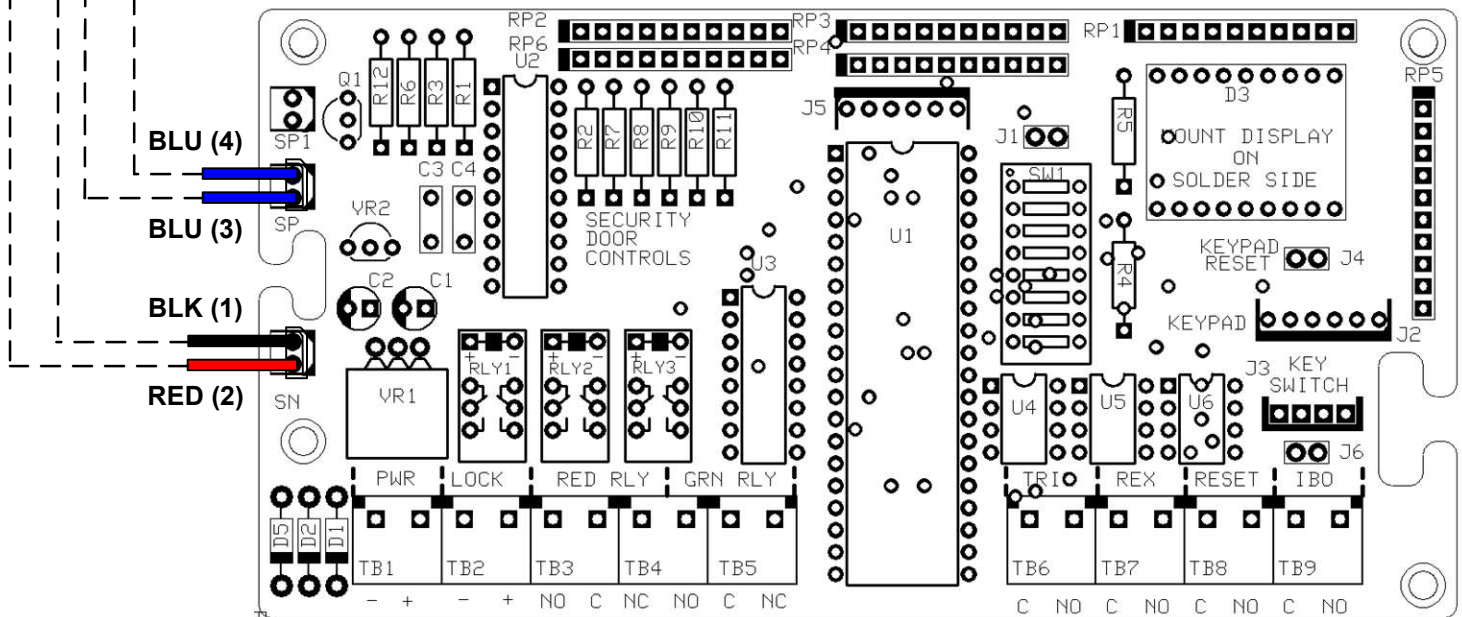
101-SPSN EXTERNAL SPEAKER & SIREN

Remove existing cable connectors from 101 controller and replace with provided wire harnesses. Install as shown below.

Optional Accessory
For use with: 101-DE Series Only



101-DE SERIES CONTROLLER



Any suggestions or comments to this instruction or product are welcome. Please contact us through our website or email engineer@sdsecurity.com