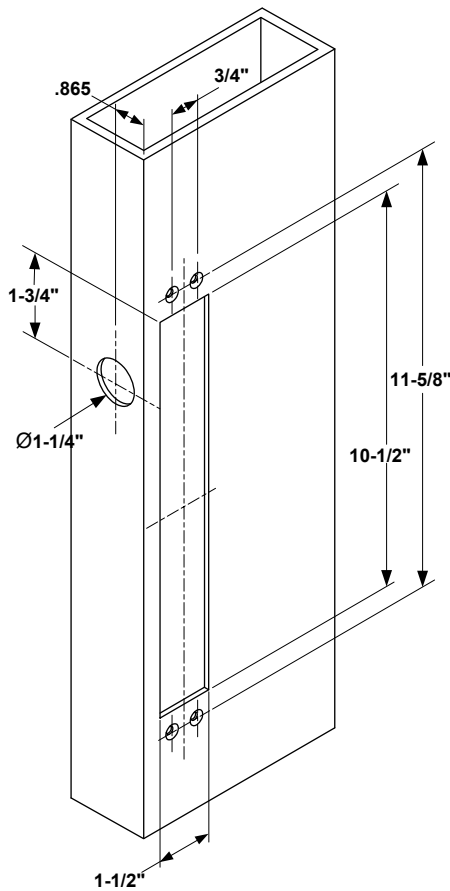




INSTALLATION INSTRUCTIONS

1091AIDMR (.865" BACKSET) CONCEALED MORTISE BOLT LOCK with MECHANICAL RELEASE FAIL-SAFE (SINGLE CYLINDER PREP)

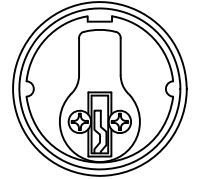
ALUMINUM FRAME PREPARATION



(8X) TAP TABS
FOR #10-32

1-1/8" CYLINDER
(NOT INCLUDED)

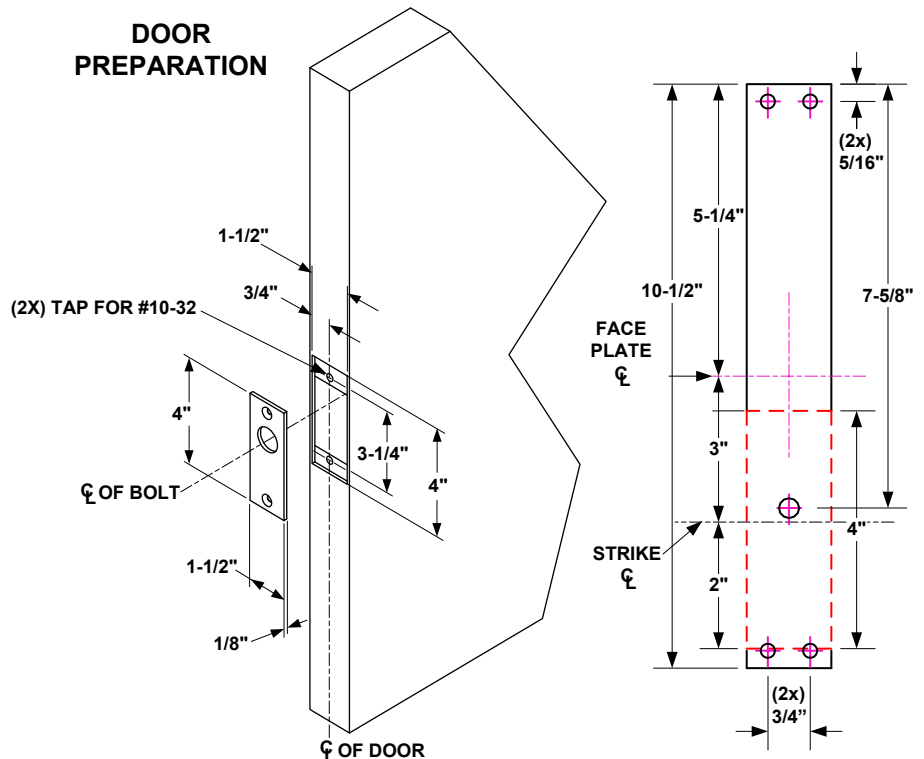
Once the Key Cylinder
is installed. Secure the
cylinder within the
guided cylinder slot
using the Cylinder
Locking Set screw.



Use standard straight
cam ILCO (863G) or
equivalent.

Cylinder
Locking
Set Screw

DOOR PREPARATION



**NOTE: NOT TO SCALE.
DIMENSIONS ARE SUBJECT
TO CHANGE WITHOUT NOTICE.**

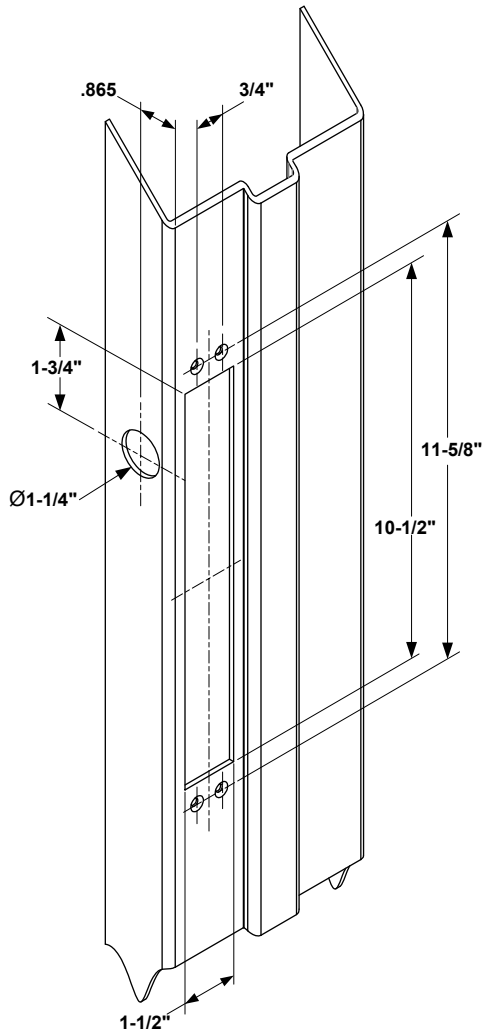
TECHNICAL DATA (FOR STANDARD UNIT)

| | |
|-------------------------|---------------------------|
| FACE PLATE: | 10-1/2" x 1-1/2" X 1/8" |
| STRIKE: | 4" x 1-1/2" x 1/8" |
| ID REQUIREMENTS: | 10-1/2" x 1-1/2" x 1-3/4" |
| BOLT: | 5/8" DIA. STAINLESS STEEL |
| BOLT THROW: | 3/4" |
| BACK SET: | .865" |

Any suggestions or comments to this instruction or product are welcome. Please contact us through our website or email engineer@sdsecurity.com



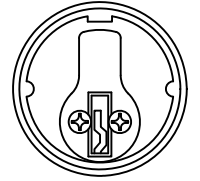
HOLLOW METAL FRAME PREPARATION



(8X) TAP TABS FOR #10-32

1-1/8" CYLINDER (NOT INCLUDED)

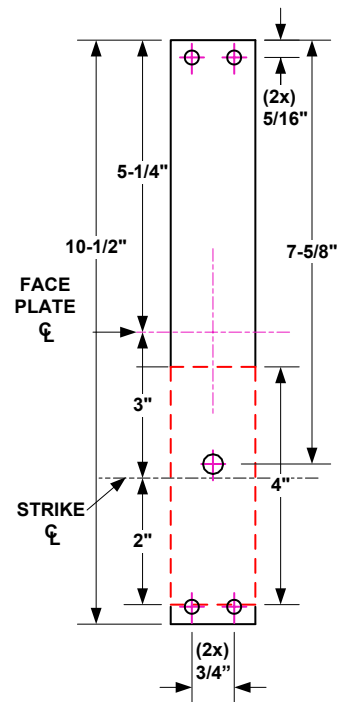
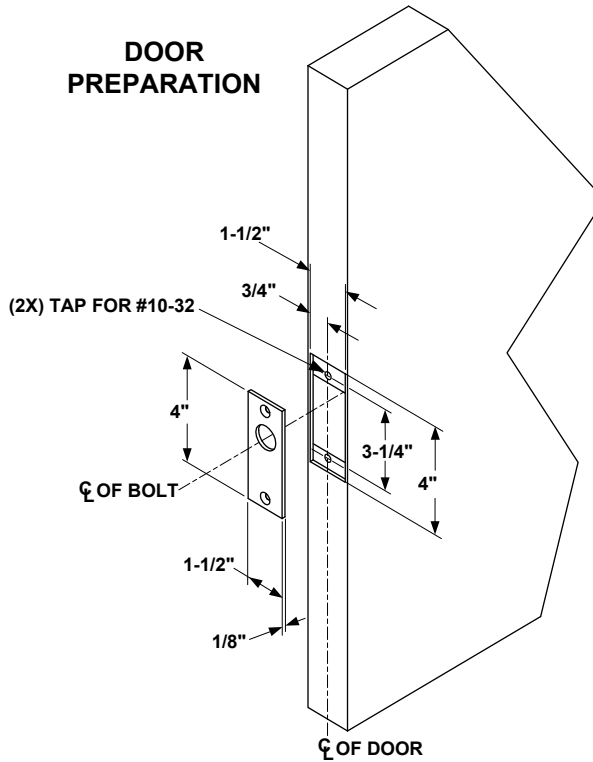
Once the Key Cylinder is installed. Secure the cylinder within the guided cylinder slot using the Cylinder Locking Set screw.



Use standard straight cam ILCO (863G) or equivalent.

Cylinder Locking Set Screw

DOOR PREPARATION



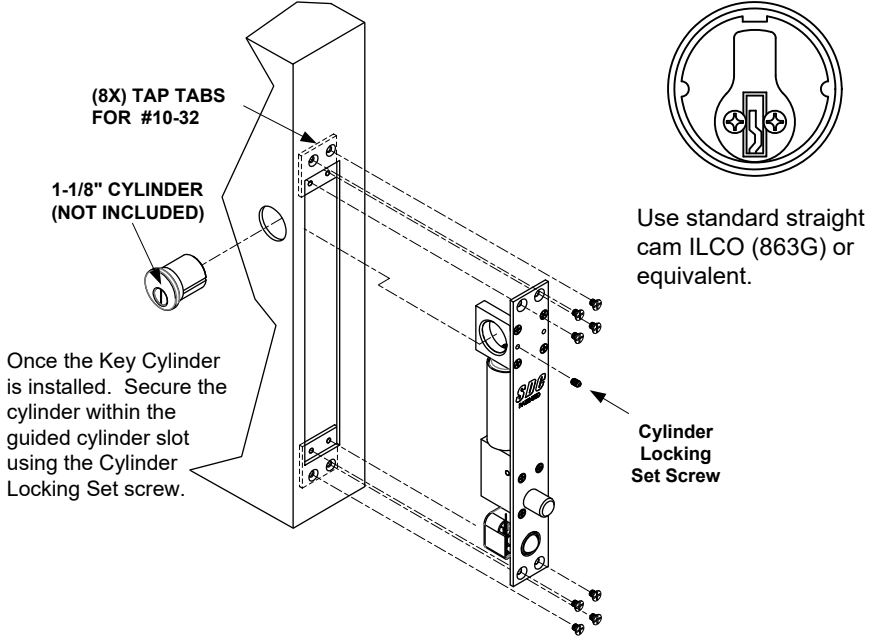
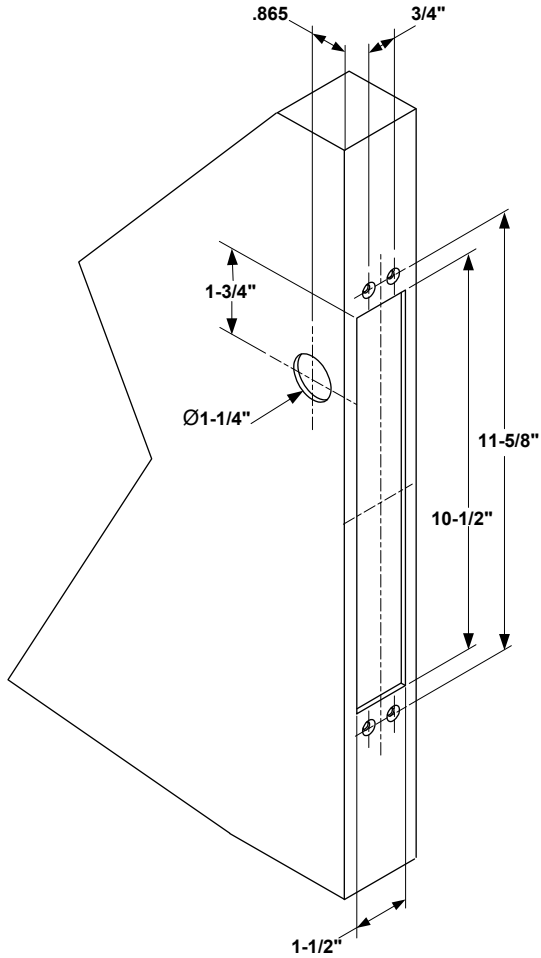
NOTE: NOT TO SCALE. DIMENSIONS ARE SUBJECT TO CHANGE WITHOUT NOTICE.

TECHNICAL DATA (FOR STANDARD UNIT)

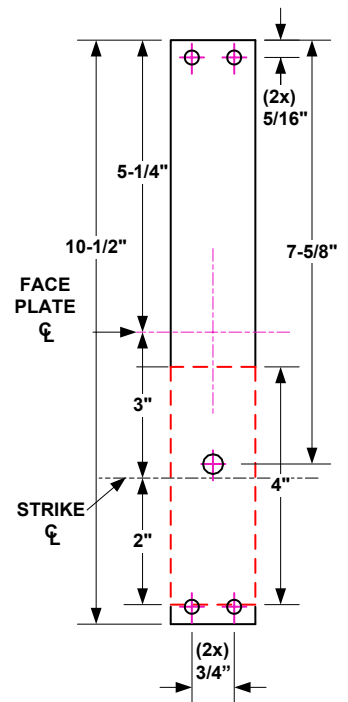
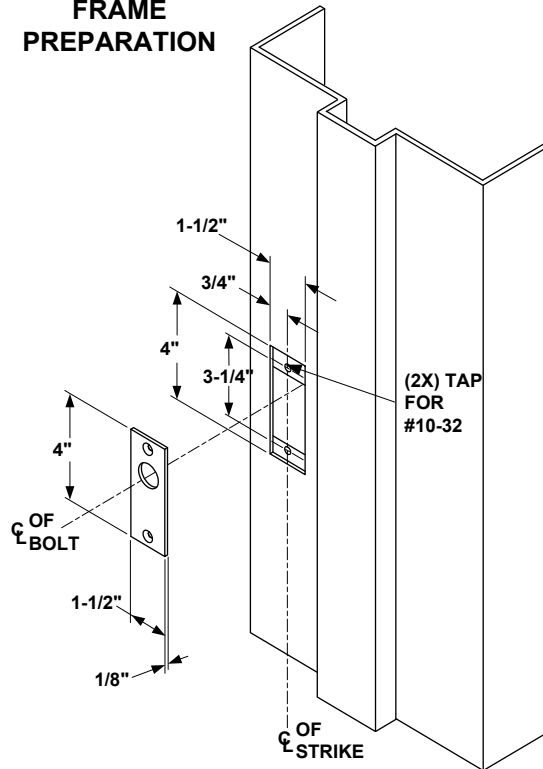
| | |
|------------------|---------------------------|
| FACE PLATE: | 10-1/2" x 1-1/2" X 1/8" |
| STRIKE: | 4" x 1-1/2" x 1/8" |
| ID REQUIREMENTS: | 10-1/2" x 1-1/2" x 1-3/4" |
| BOLT: | 5/8" DIA. STAINLESS STEEL |
| BOLT THROW: | 3/4" |
| BACK SET: | .865" |



DOOR PREPATATION



FRAME PREPARATION



**NOTE: NOT TO SCALE.
DIMENSIONS ARE SUBJECT
TO CHANGE WITHOUT NOTICE.**

TECHNICAL DATA (FOR STANDARD UNIT)

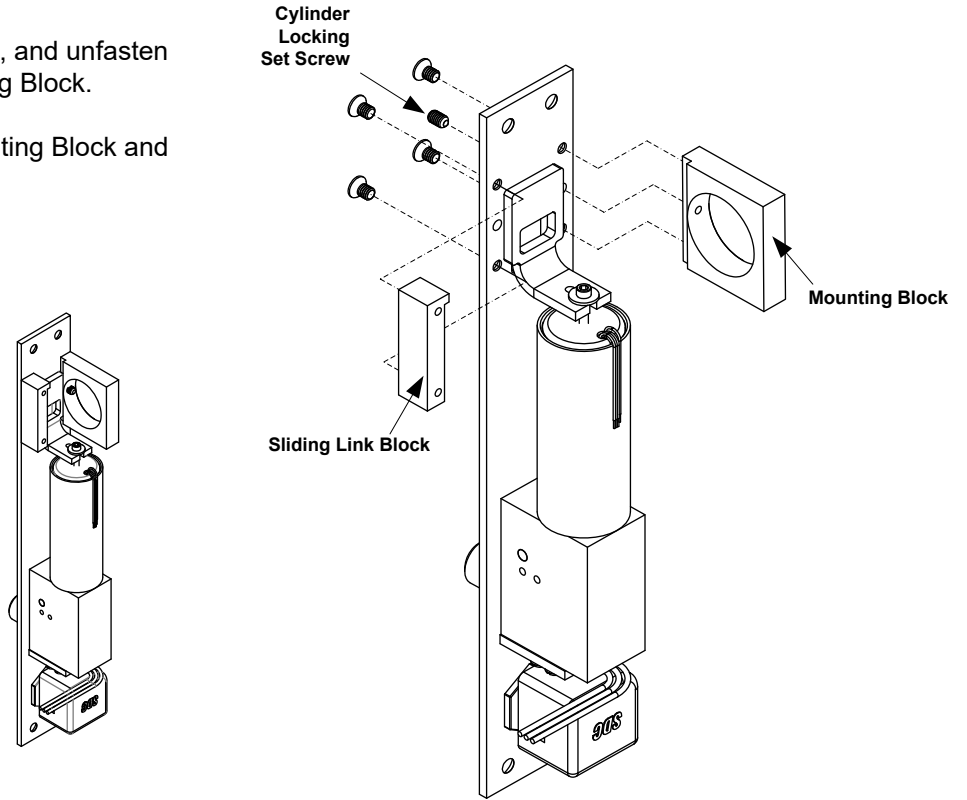
| | |
|-------------------------|---------------------------|
| FACE PLATE: | 10-1/2" x 1-1/2" X 1/8" |
| STRIKE: | 4" x 1-1/2" x 1/8" |
| ID REQUIREMENTS: | 10-1/2" x 1-1/2" x 1-3/4" |
| BOLT: | 5/8" DIA. STAINLESS STEEL |
| BOLT THROW: | 3/4" |
| BACK SET: | .865" |



INSTRUCTIONS FOR REVERSING THE MOUNTING BLOCK

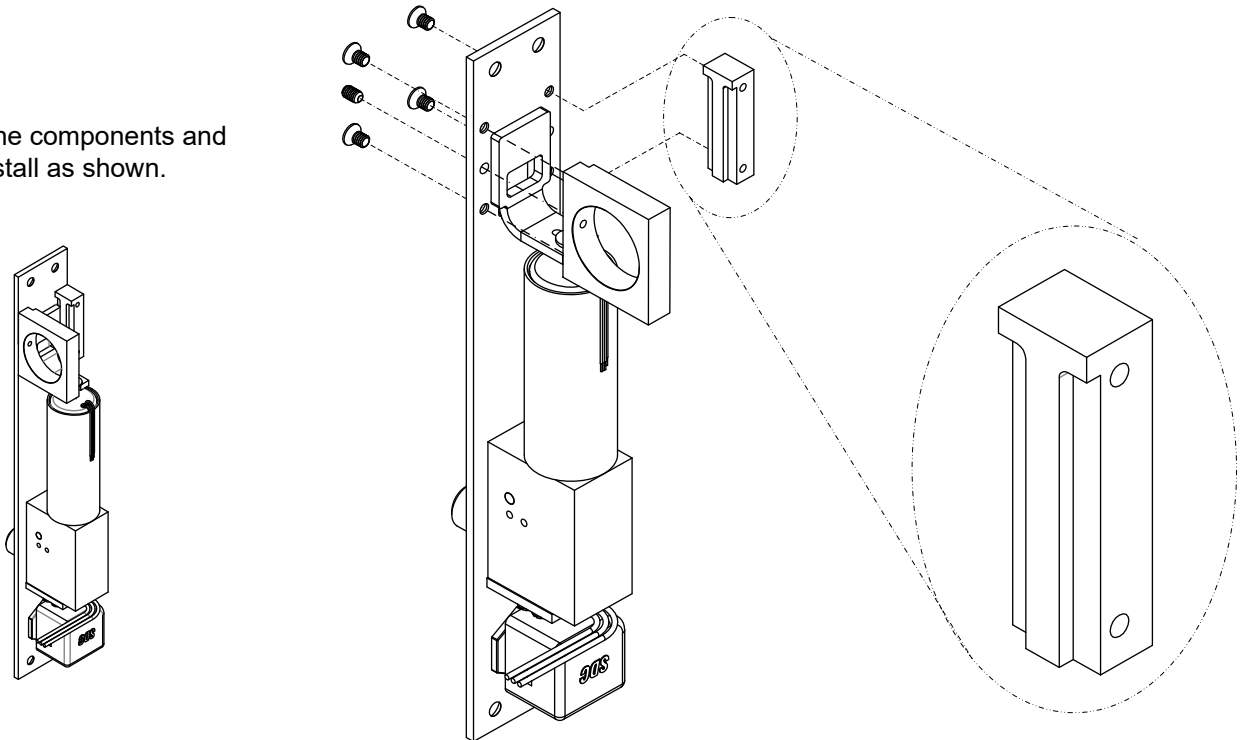
Remove the Cylinder locking set screw, and unfasten the Mortise Cylinder out of the Mounting Block.

Remove the screws securing the Mounting Block and the Sliding Link Block.



Make sure the sliding Link Block is positioned properly

Reverse the components and re-install as shown.

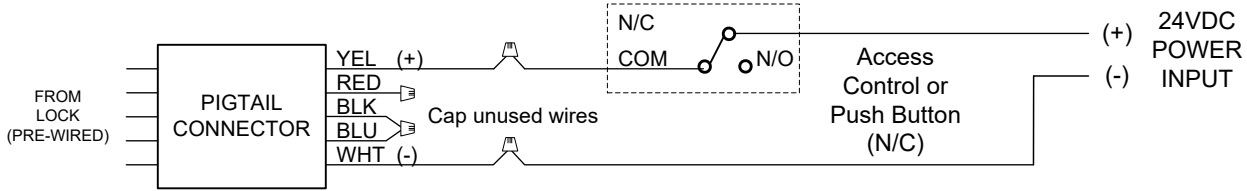




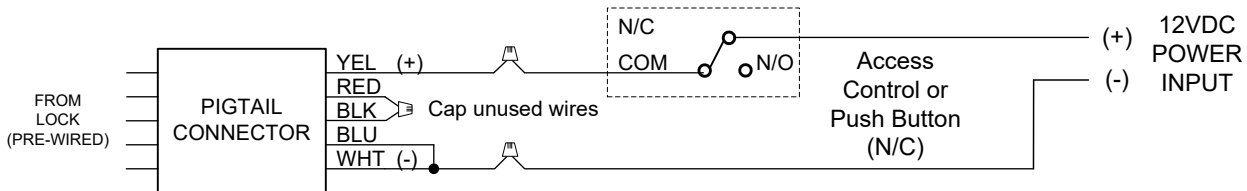
LOCK WIRING

Select 24VDC OR 12VDC Configuration, and use provided pigtail connector:

24VDC SOLENOID CONFIGURATION



12VDC SOLENOID CONFIGURATION



Electrical Data

Dual Voltage Solenoid:

12VDC @ .9 Amp (Max) Continuous Duty
24VDC @ .45 Amp (Max) Continuous Duty

OPTIONAL BOLT POSITION SENSOR (BPS-MAGNETIC)

B Indicates bolt locked or unlocked 5 Watt

OPTIONAL DOOR POSITION SWITCH (DPS-MECHANICAL)

D Indicates door opened or closed
4A @ 30VDC (Resistive)

* When both options are ordered the Common is shared.

DPS / BPS CONFIGURATION

