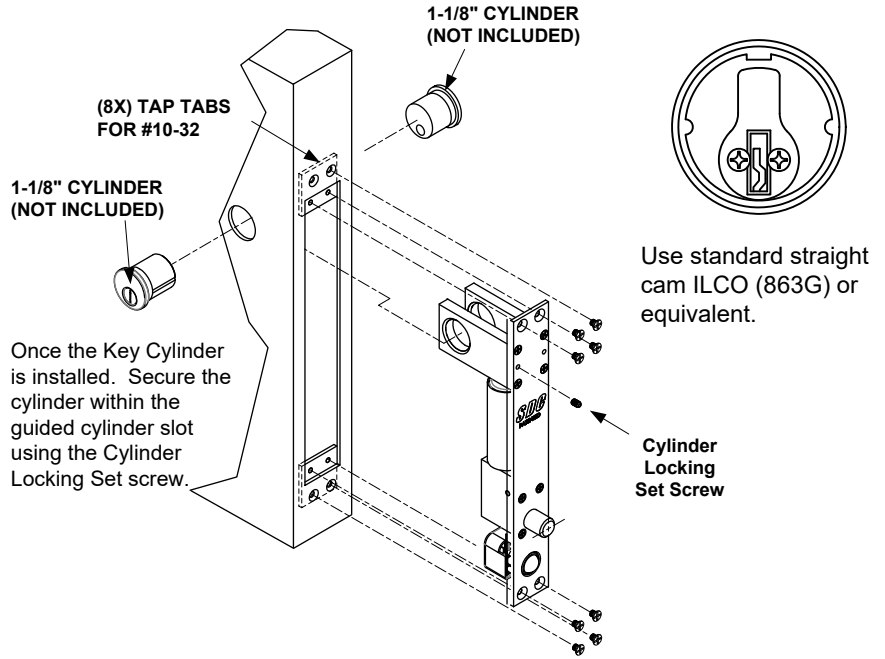
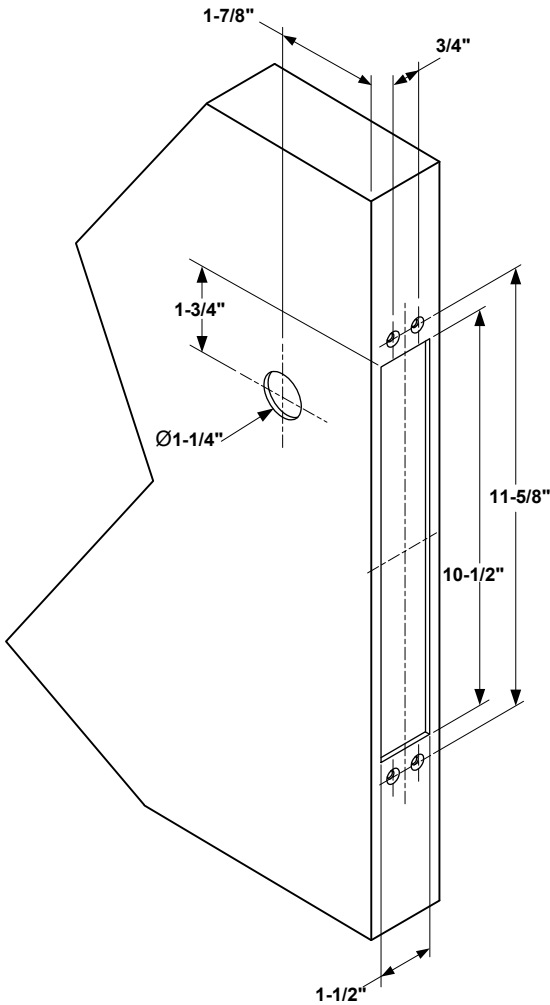




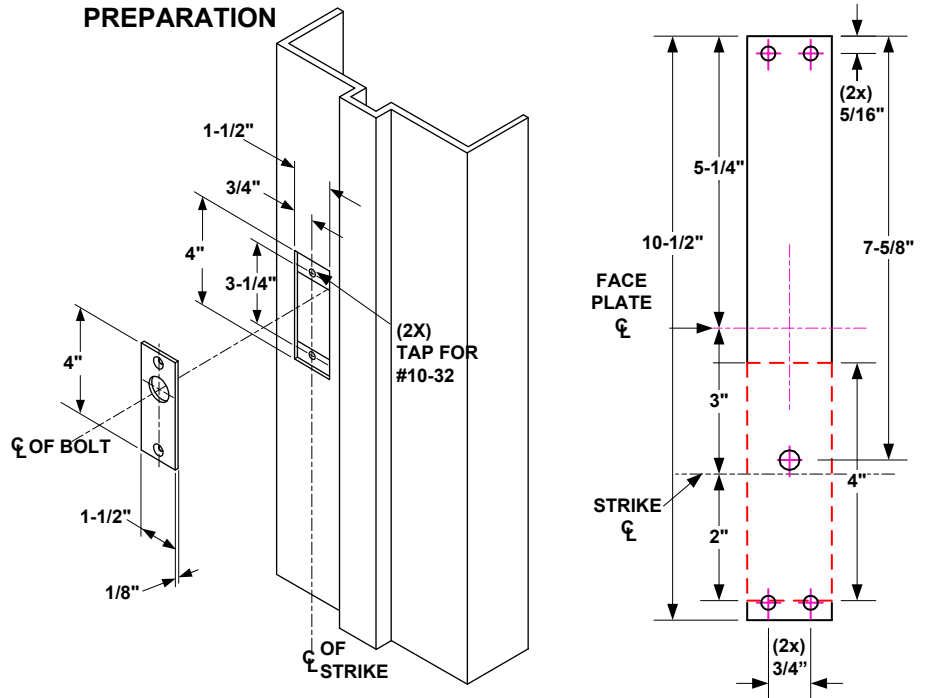
# INSTALLATION INSTRUCTIONS

## 1291AHDDMR1 (1-7/8" BACKSET) CONCEALED MORTISE BOLT LOCK with MECHANICAL RELEASE FAIL-SECURE (DOUBLE CYLINDER PREP)

### DOOR PREPARATION



### FRAME PREPARATION



**NOTE: NOT TO SCALE.  
DIMENSIONS ARE SUBJECT  
TO CHANGE WITHOUT NOTICE.**

### TECHNICAL DATA (FOR STANDARD UNIT)

<b>FACE PLATE:</b>	10-1/2" x 1-1/2" X 1/8"
<b>STRIKE:</b>	4" x 1-1/2" x 1/8"
<b>ID REQUIREMENTS:</b>	10-1/2" x 1-1/2" x 2-7/8"
<b>BOLT:</b>	5/8" DIA. STAINLESS STEEL
<b>BOLT THROW:</b>	3/4"
<b>BACK SET:</b>	1-7/8"

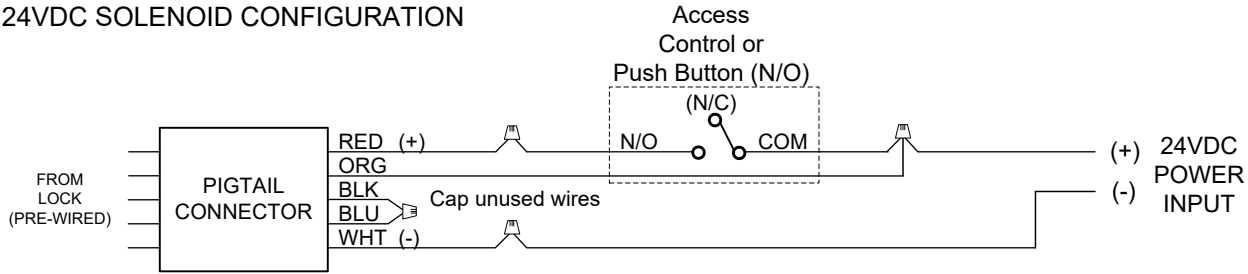
Any suggestions or comments to this instruction or product are welcome. Please contact us through our website or email [engineer@sdsecurity.com](mailto:engineer@sdsecurity.com)



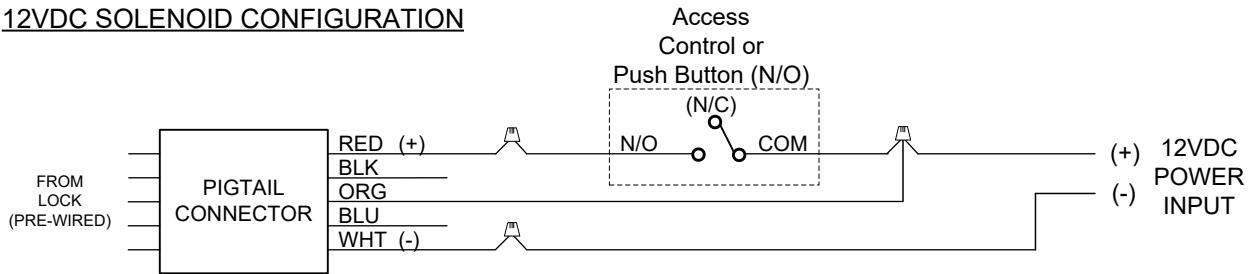
### LOCK WIRING

Select 24VDC OR 12VDC Configuration, and use provided pigtail connector:

#### 24VDC SOLENOID CONFIGURATION



#### 12VDC SOLENOID CONFIGURATION



### Electrical Data

#### Dual Voltage Solenoid:

12VDC @ .9 Amp (Max) Continuous Duty  
24VDC @ .45 Amp (Max) Continuous Duty

#### OPTIONAL BOLT POSITION SENSOR (BPS-MAGNETIC)

B Indicates bolt locked or unlocked 5 Watt

#### OPTIONAL DOOR POSITION SWITCH (DPS-MECHANICAL)

D Indicates door opened or closed  
4A @ 30VDC (Resistive)

\* When both options are ordered the Common is shared.

### DPS / BPS CONFIGURATION

