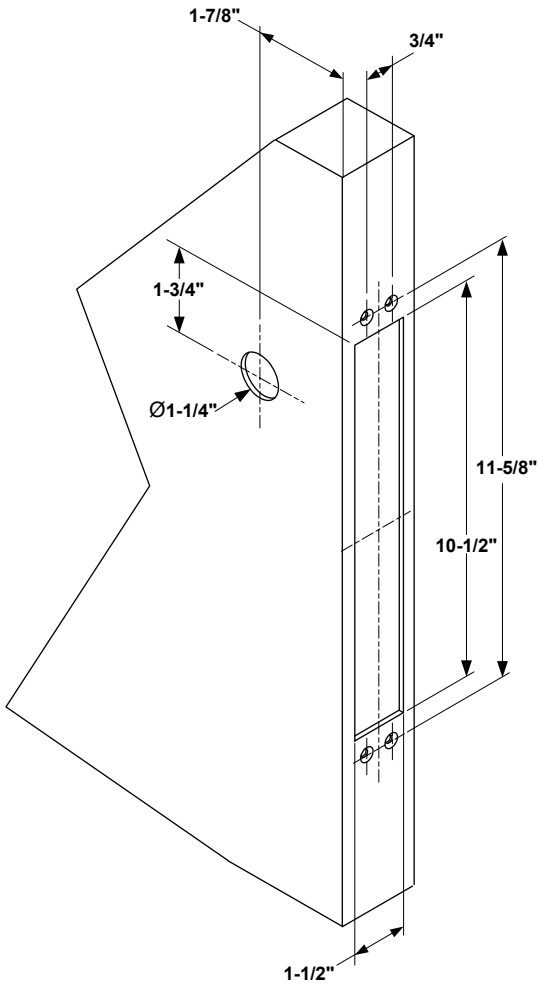




INSTALLATION INSTRUCTIONS

1291AHDMR1 (1-7/8" BACKSET) CONCEALED MORTISE BOLT LOCKS with MECHANICAL RELEASE FAIL-SECURE (SINGLE CYLINDER PREP)

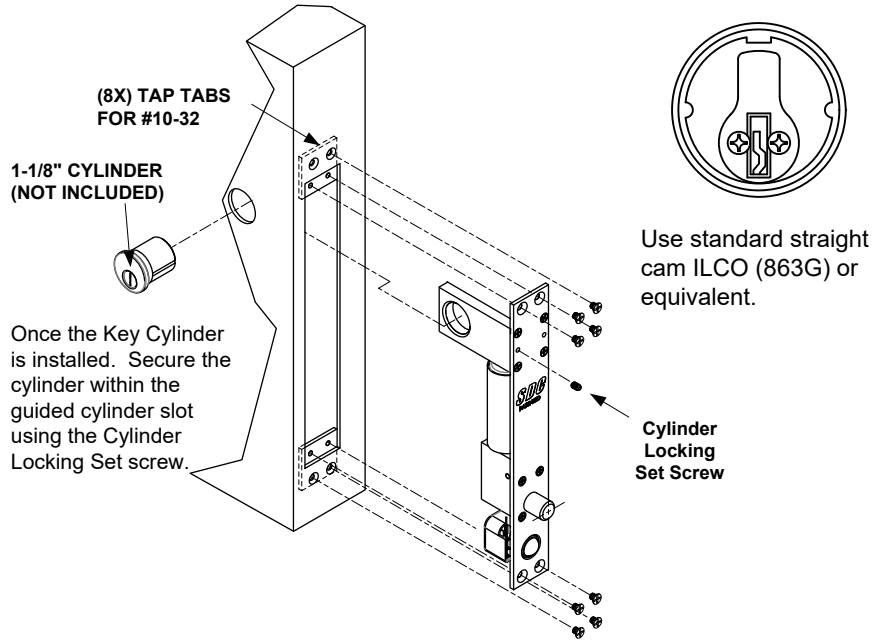
DOOR PREPARATION



**NOTE: NOT TO SCALE.
DIMENSIONS ARE SUBJECT
TO CHANGE WITHOUT NOTICE.**

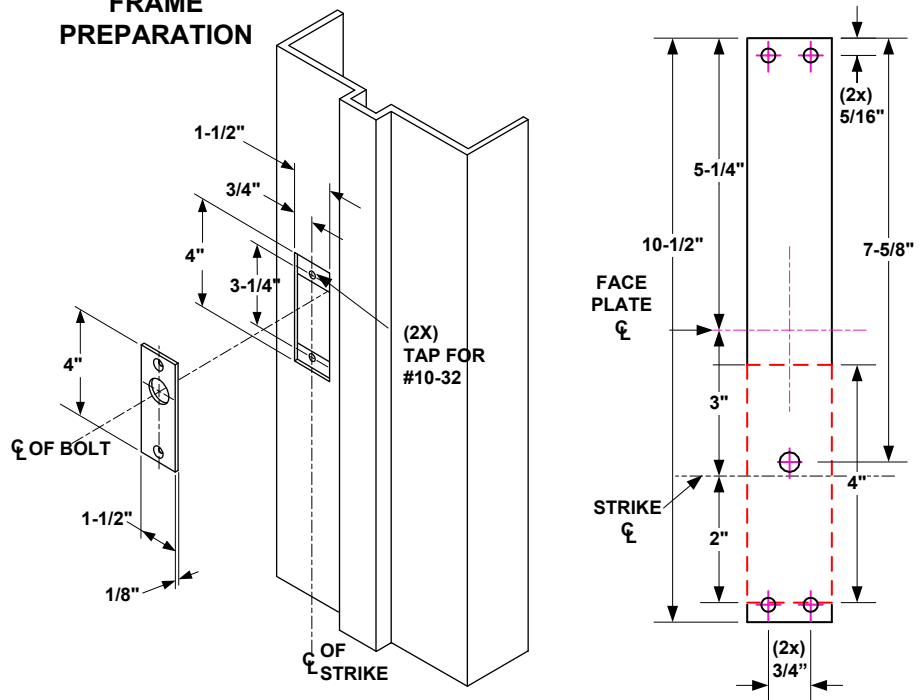
TECHNICAL DATA (FOR STANDARD UNIT)

FACE PLATE:	10-1/2" x 1-1/2" X 1/8"
STRIKE:	4" x 1-1/2" x 1/8"
ID REQUIREMENTS:	10-1/2" x 1-1/2" x 2-7/8"
BOLT:	5/8" DIA. STAINLESS STEEL
BOLT THROW:	3/4"
BACK SET:	1-7/8"



Use standard straight cam ILCO (863G) or equivalent.

FRAME PREPARATION

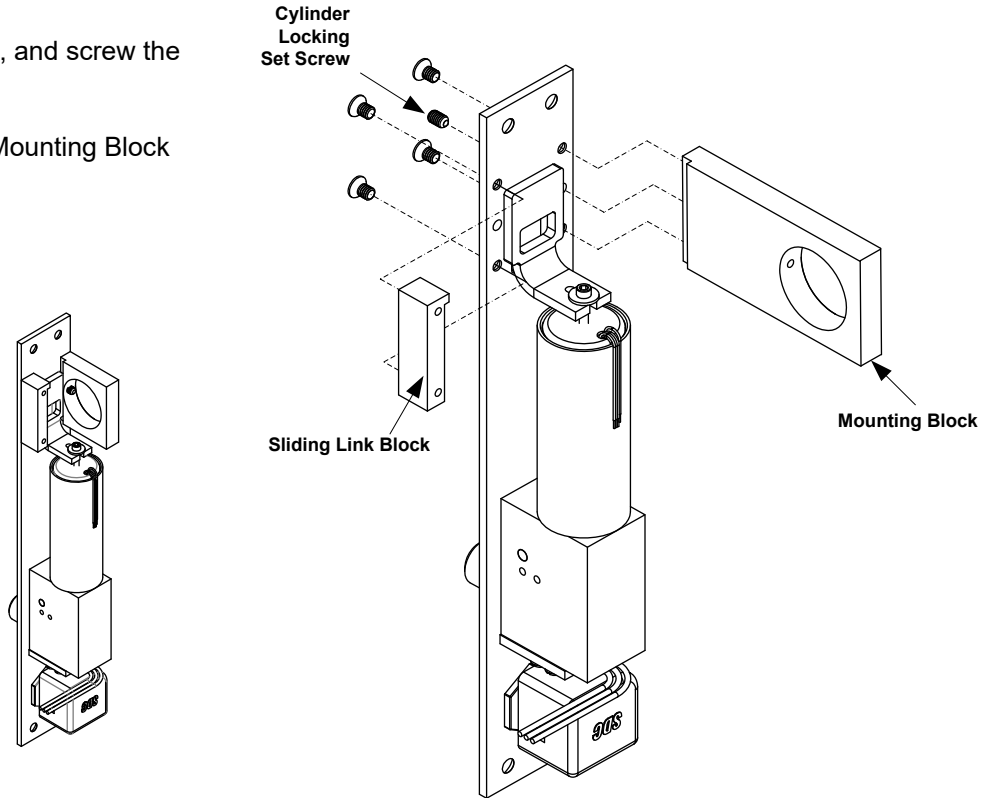


Any suggestions or comments to this instruction or product are welcome. Please contact us through our website or email engineer@sdsecurity.com

INSTRUCTIONS FOR REVERSING THE MOUNTING BLOCK

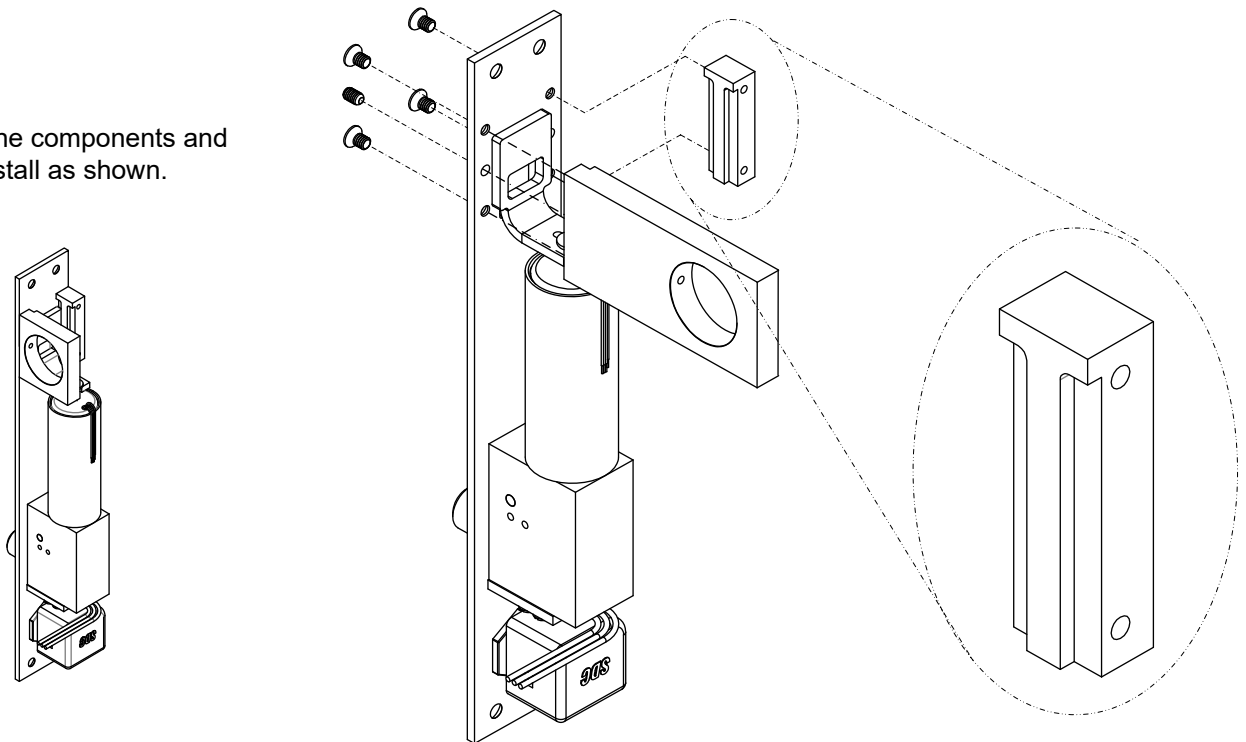
Remove the Cylinder locking set screw, and screw the Cylinder out of the Mounting Block.

Remove the four screws securing the Mounting Block and the Sliding Link Block.



Make sure the sliding Link Block is positioned properly

Reverse the components and re-install as shown.

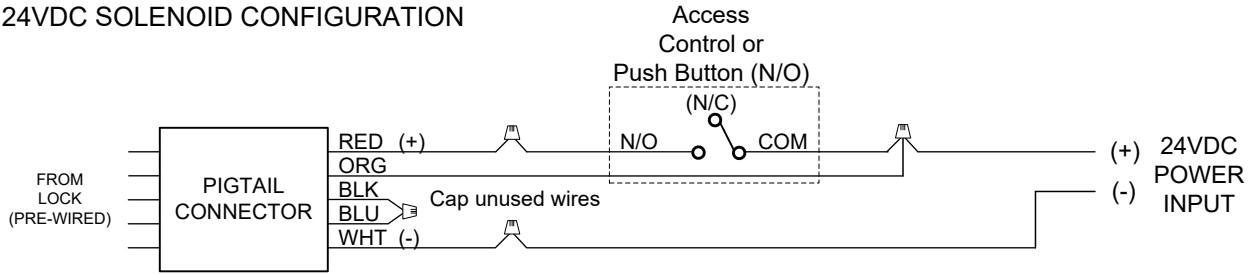




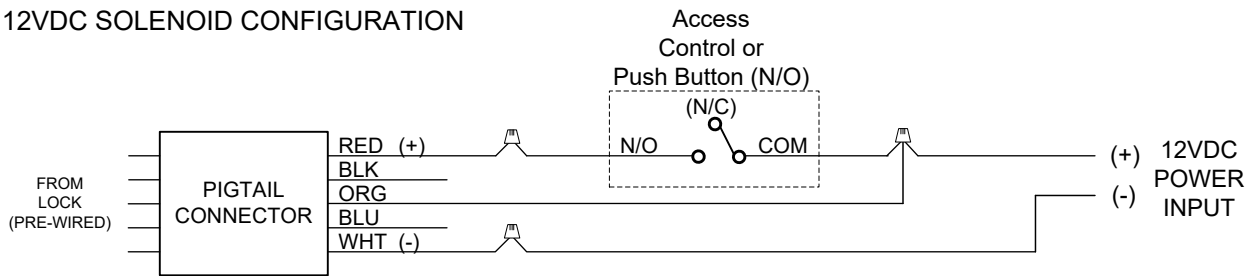
LOCK WIRING

Select 24VDC OR 12VDC Configuration, and use provided pigtail connector:

24VDC SOLENOID CONFIGURATION



12VDC SOLENOID CONFIGURATION



Electrical Data

Dual Voltage Solenoid:

12VDC @ .9 Amp (Max) Continuous Duty
24VDC @ .45 Amp (Max) Continuous Duty

OPTIONAL BOLT POSITION SENSOR (BPS-MAGNETIC)

B Indicates bolt locked or unlocked 5 Watt

OPTIONAL DOOR POSITION SWITCH (DPS-MECHANICAL)

D Indicates door opened or closed
4A @ 30VDC (Resistive)

* When both options are ordered the Common is shared.

DPS / BPS CONFIGURATION

