

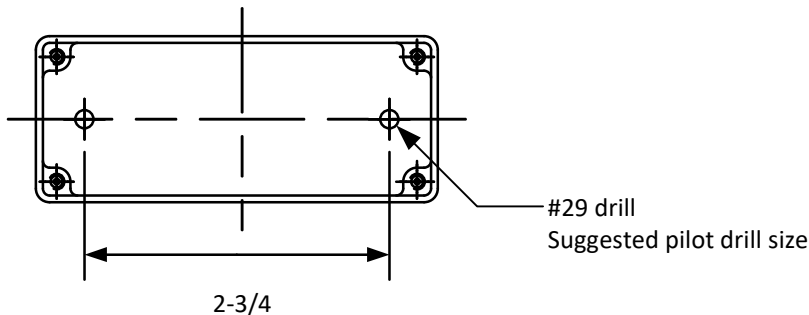
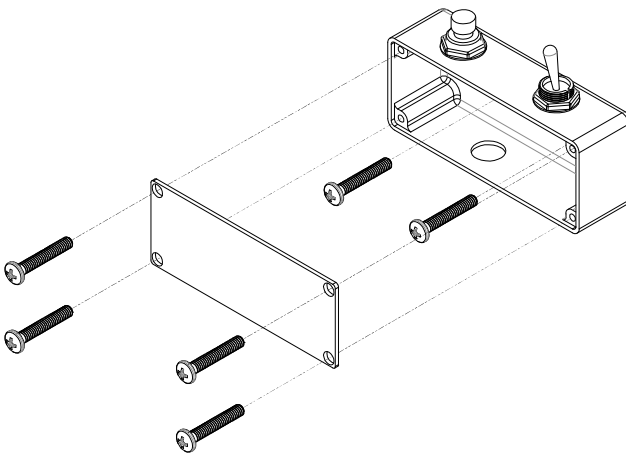


INSTALLATION INSTRUCTIONS

15-2-3

CONCEALED REMOTE DESK SWITCH MOMENTARY PUSH & TOGGLE SPDT SWITCH

Remove the 4 screws from the cover plate to obtain access to the mounting holes. Use the supplied #8 wood screws to fasten desk switch.



Mounting hole dimension
(Not to scale)

ELECTRICAL SPECIFICATION

Momentary Switch	{	<u>Switch Rating</u>
		6 amps @ 125 vac (Resistive)
		<u>Wire Code</u>
		N/O YELLOW
		COM WHITE
		N/C ORANGE
Toggle Switch	{	<u>Switch Rating</u>
		5 amps @ 30 vdc (Resistive)
		<u>Wire Code</u>
		N/O YELLOW
		COM WHITE
		N/C ORANGE