

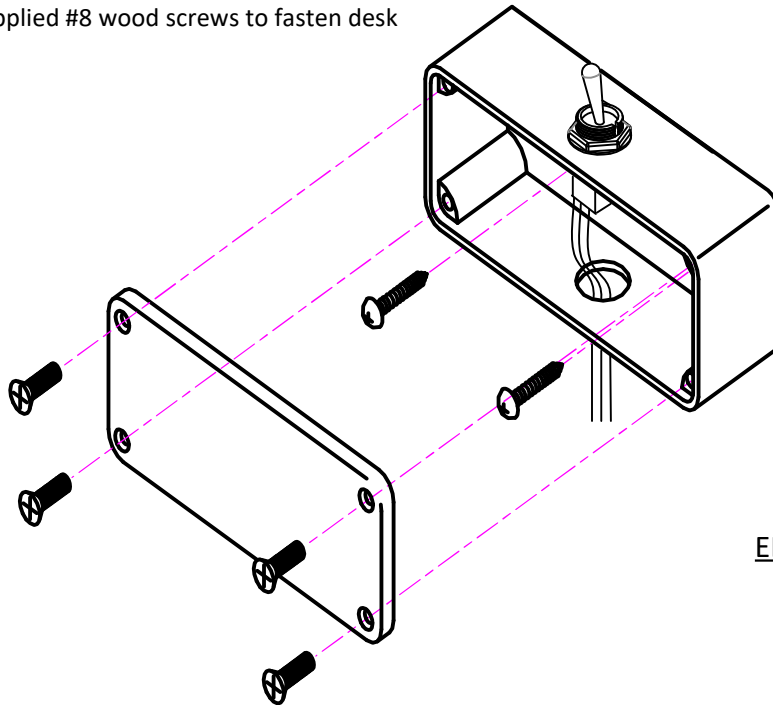


INSTALLATION INSTRUCTIONS

15-3

CONCEALED REMOTE DESK SWITCH ALTERNATE ACTION SPDT TOGGLE SWITCH

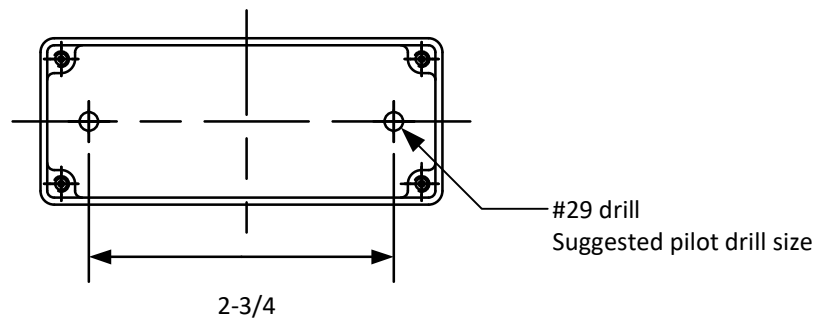
Remove the 4 screws from the cover plate to obtain access to the mounting holes. Use the supplied #8 wood screws to fasten desk switch.



ELECTRICAL SPECIFICATION

Switch Rating
5 amps @ 30 vdc
(Resistive/Inductive)

Wire Code
N/O YELLOW
COM WHITE
N/C ORANGE



Mounting hole dimension
(Not to scale)