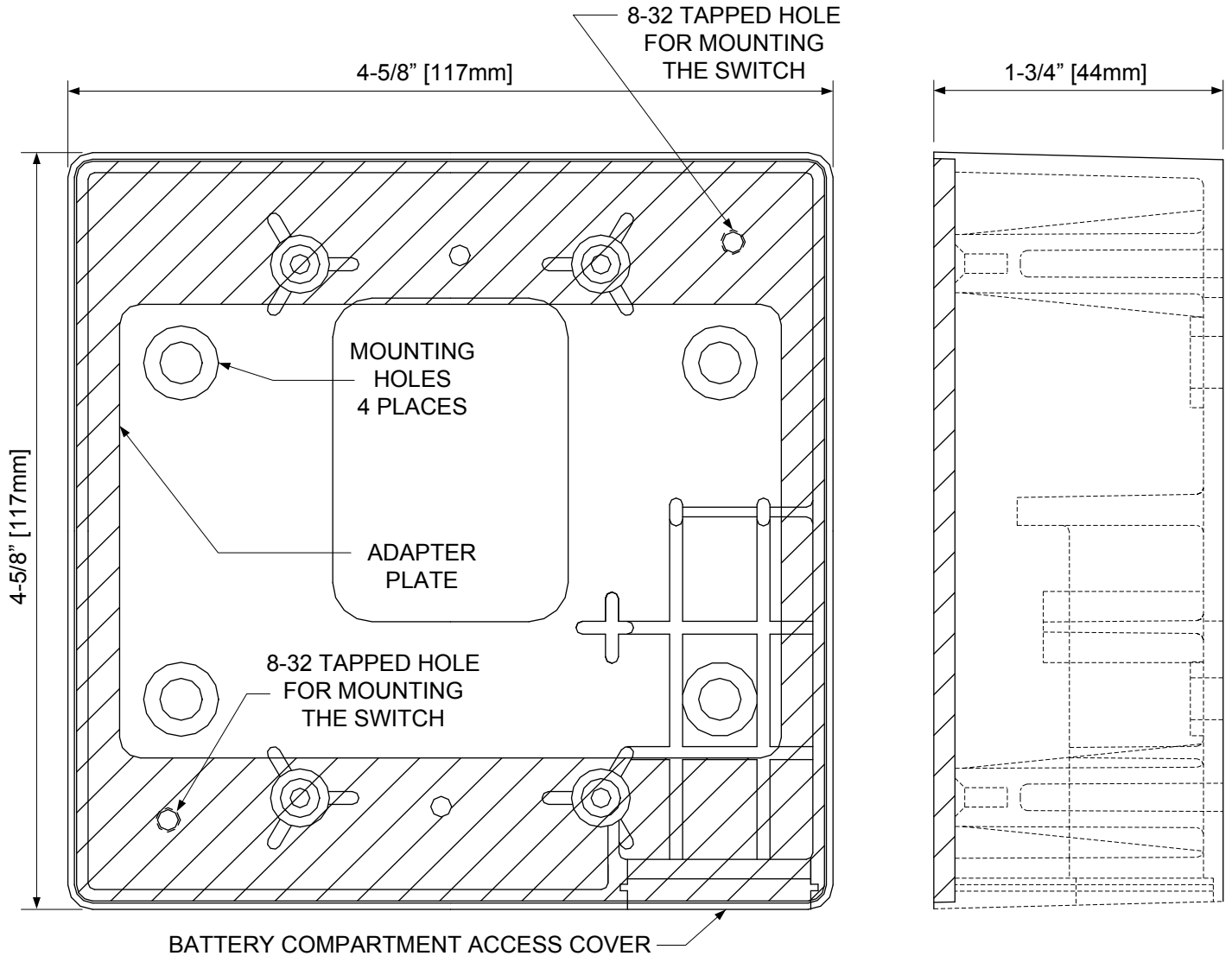


SDC Security Door Controls

801 Avenida Acaso, Camarillo, Ca. 93012 • (805) 494-0622 •
www.sdcsecurity.com • E-mail: service@sdsecurity.com

INSTALLATION INSTRUCTIONS 480-6RSBB SURFACE BOX w/BATTERY COMPARTMENT 6" SQUARE

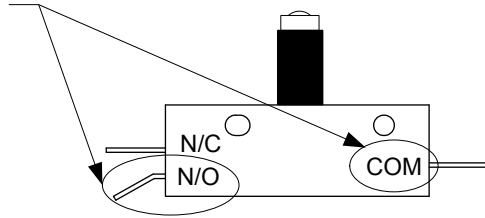


BLACK ABS BOX FOR HARD-WIRED OR WIRELESS APPLICATION

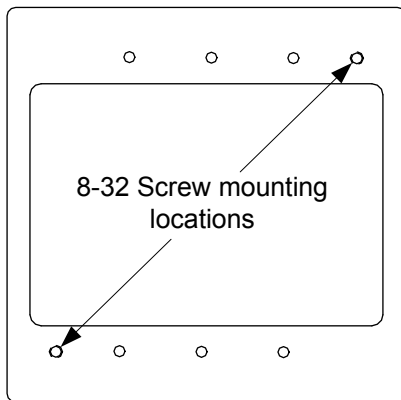
480-6RSBB IS ASSEMBLED WITH AN ALUMINUM ADAPTER PLATE USED WITH 6" ROUND SWITCHES.

480-6RSBB MOUNTING INSTRUCTIONS (HARD WIRED AND WIRELESS)

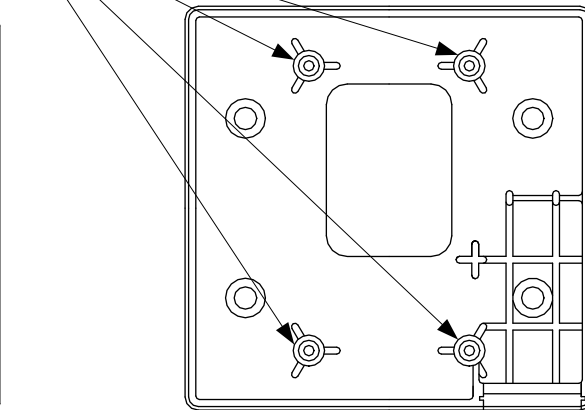
1. Use appropriate screws (not supplied) to mount the box to the wall surface at the 4 open mounting hole positions. If needed, drill a small weep hole in the bottom of the box (as it hangs) to allow moisture to evaporate.
2. If you are using a wireless transmitter, attach the transmitter to the back of the box using the included double sided tape. Connect the battery terminals to the battery and install into the battery compartment. Program the transmitter to match the receiver.
3. For either Hard-wired or Wireless setups, connect the lead wires to the switch at the N/O and COM contacts.



4. Fit the 6-32 X 5/8" socket cap screws from the switch parts bag into the 4 integral mounting pins located at the upper and lower 2-gang positions.



480-6RSBB Adapter Plate



Battery compartment door

NOTE: Use the 8-32 x 1.00" screws provided in the 6" round parts bag to attach the Adapter Plate.

6. Hang the wall switch onto the socket cap screws and tighten down with the allen wrenches provided in the parts bag or with the handle grip allen wrenches. Alternate the tightening of the screws a few turns at a time each from top to bottom.