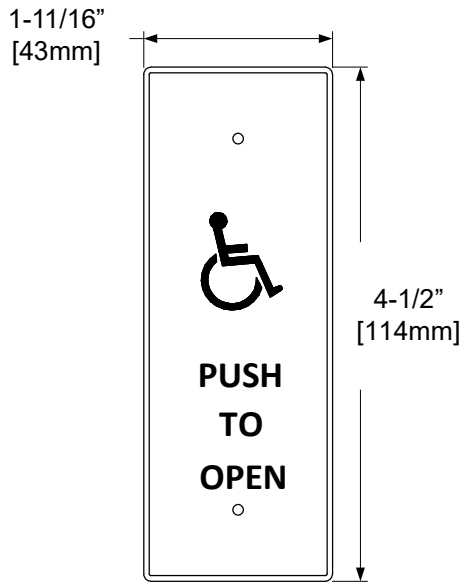


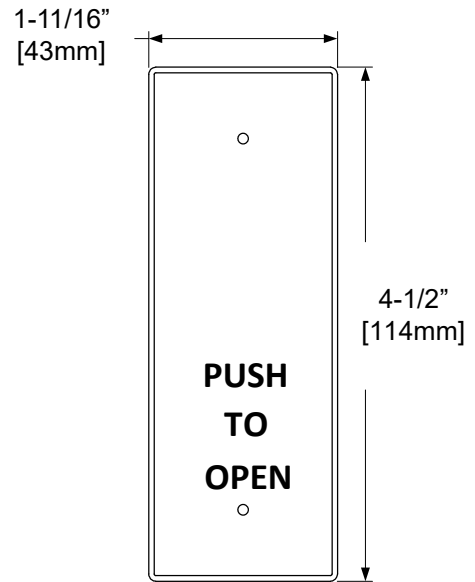


INSTALLATION INSTRUCTIONS

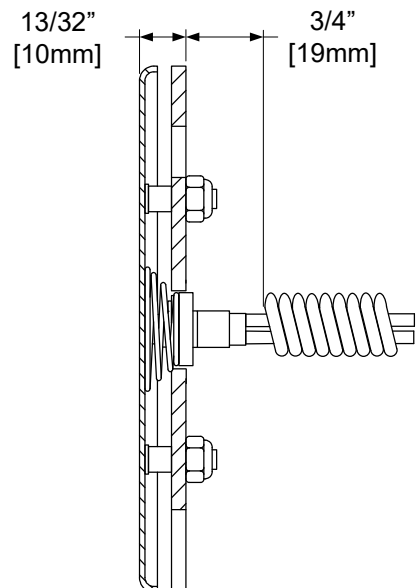
480-1 NARROW PUSH PLATE SPDT SWITCH 482A1U / 482O1U



482A1U



482O1U



Specification:

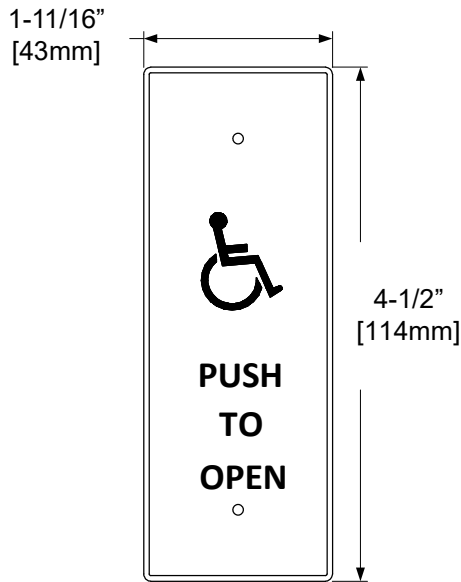
Physical Size: 1-11/16" x 4-1/2" x 1-3/16"

Contact Type: SPDT - Momentary

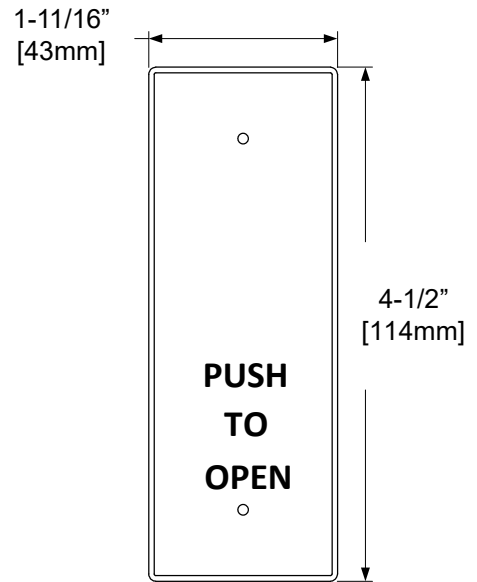
Contact Rating: 1 Amp @ 28 VDC



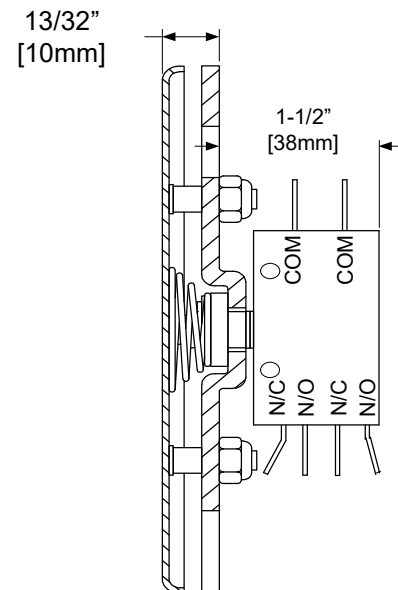
NARROW PUSH PLATE DPDT SWITCH 484A1U / 484O1U



484A1U



484O1U



Specification:

Physical Size: 1-11/16" x 4-1/2" x 1-7/8"

Contact Type: DPDT - Momentary

Contact Rating: 15 Amp @ 125/250 VAC