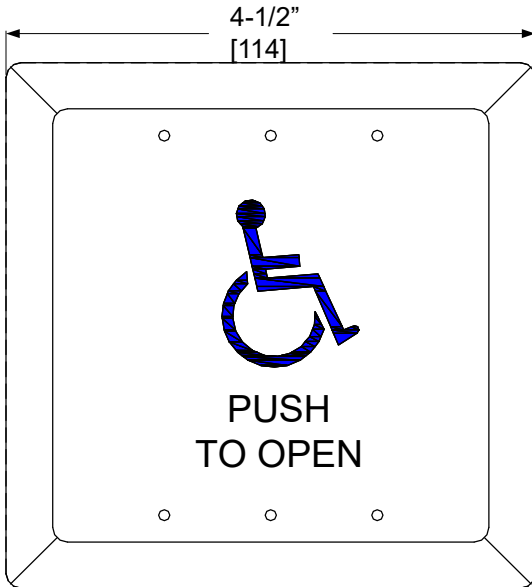


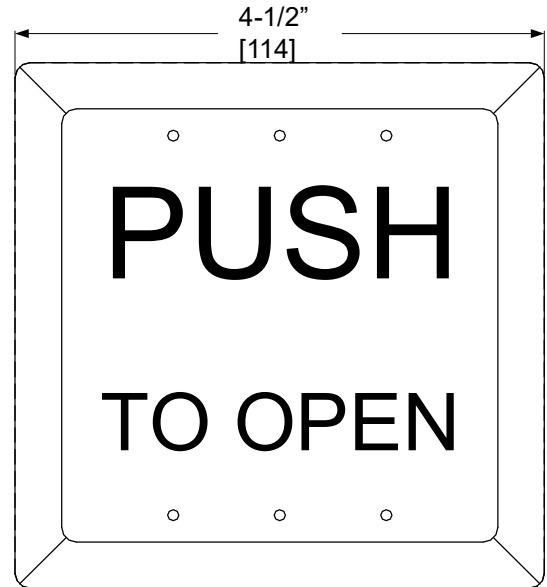


INSTALLATION INSTRUCTIONS

480-4 4-1/2" SQUARE PUSH PLATE SPDT SWITCH 482A4U / 482O4U



482A4U

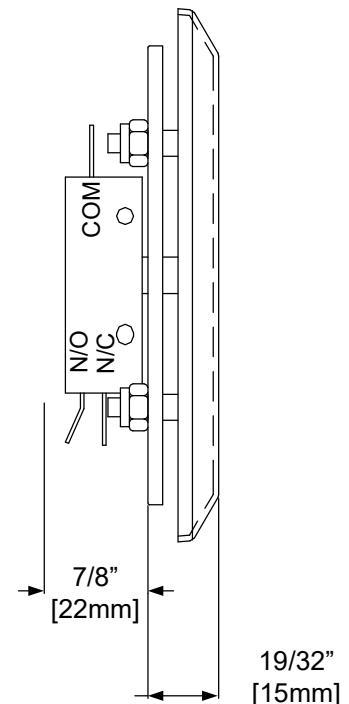


482O4U

Specification:

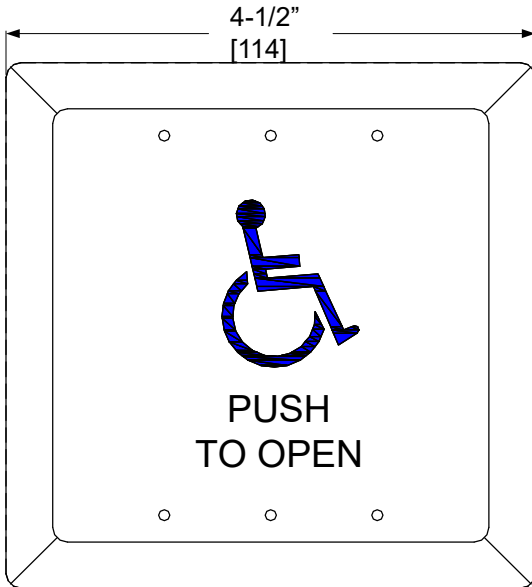
- Physical Size: 4-1/2"sq x 1-7/16"
- Contact Type: SPDT - Momentary
- Contact Rating: 2 Amp @ 48 VDC
15 Amp @ 125/250 VAC

*Switch mounts to a standard Single Gang (2" x 4") or Double Gang (4" x 4") electrical box.

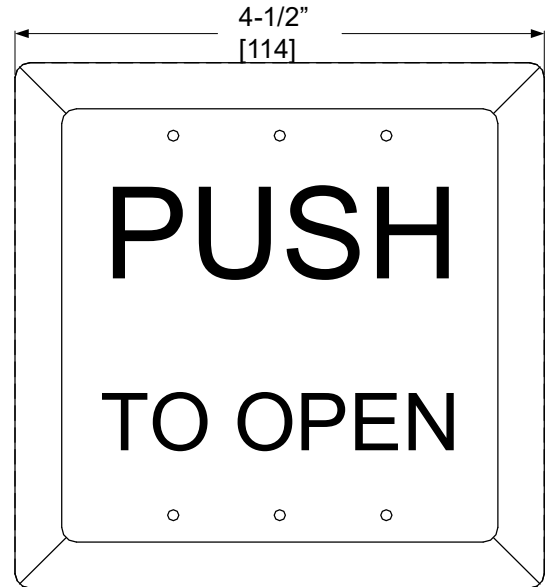




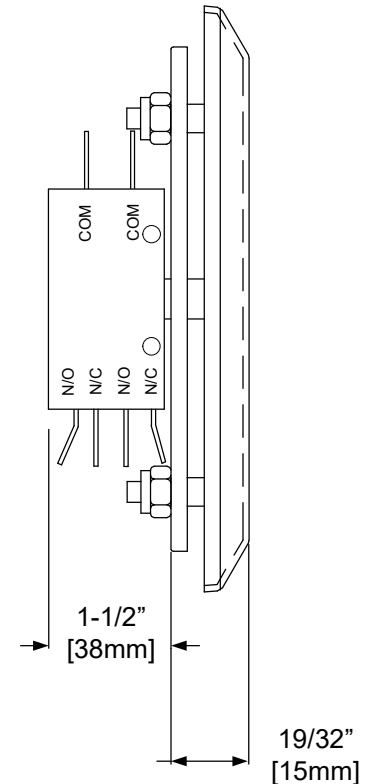
4-1/2" SQUARE PUSH PLATE DPDT SWITCH 484A4U / 484O4U



484A4U



484O4U



Specification:

- Physical Size: 4-1/2"sq x 2-1/16"
- Contact Type: DPDT - Momentary
- Contact Rating: 15 Amp @ 125/250 VAC

*Switch mounts to a standard Single Gang (2" x 4") or Double Gang (4" x 4") electrical box.