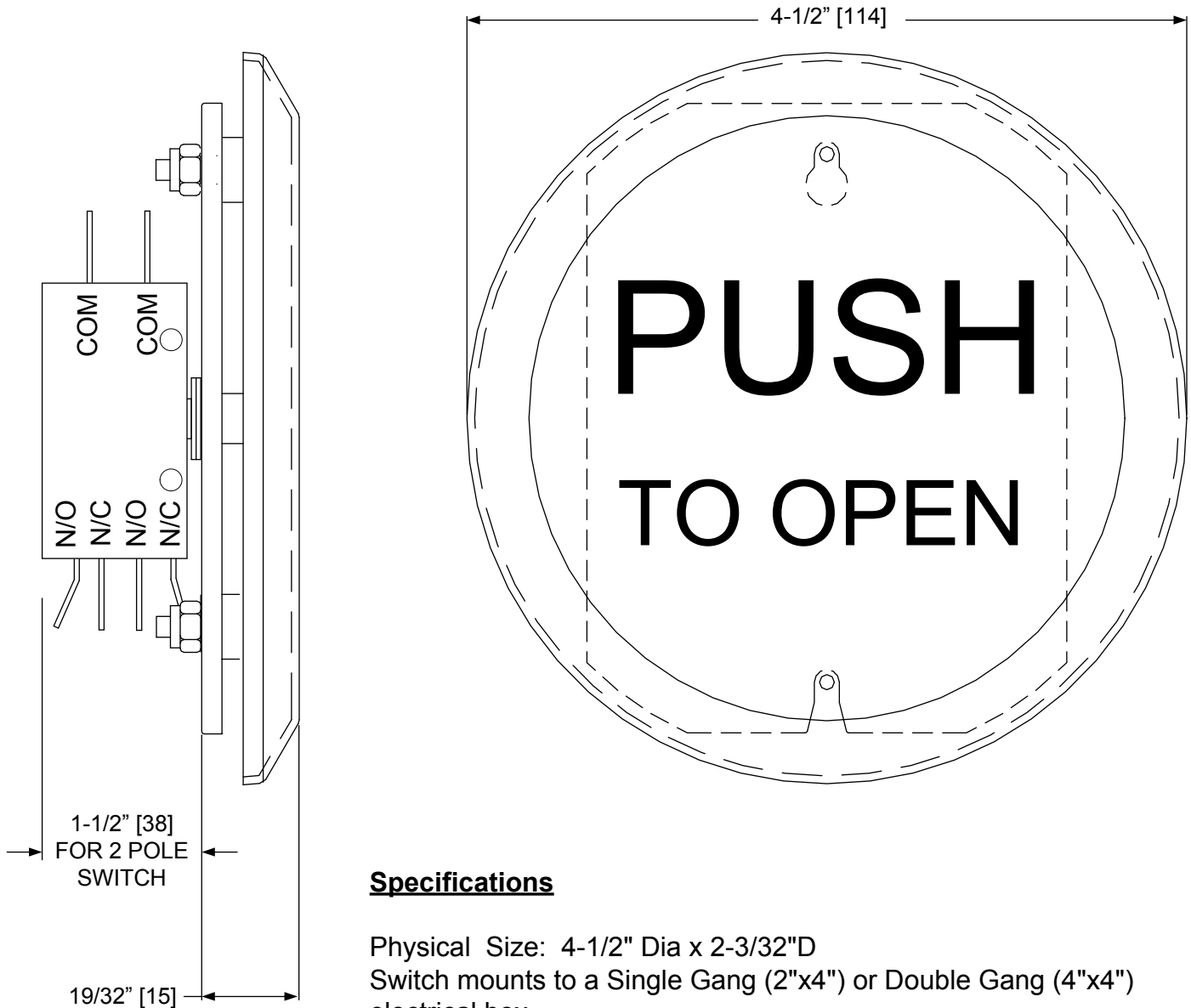


# SDC Security Door Controls

801 Avenida Acaso, Camarillo, Ca. 93012 • (805) 494-0622 •  
www.sdcsecurity.com • E-mail: service@sdsecurity.com

## INSTALLATION INSTRUCTIONS 48404RU ROUND PUSH PLATE SWITCH, PUSH TO OPEN, – 4-1/2" DPDT



### Specifications

Physical Size: 4-1/2" Dia x 2-3/32"D  
Switch mounts to a Single Gang (2"x4") or Double Gang (4"x4")  
electrical box

Contact Type: DPDT  
Contact Rating: 2 Amp @48VDC  
15 Amp @125/250VAC