

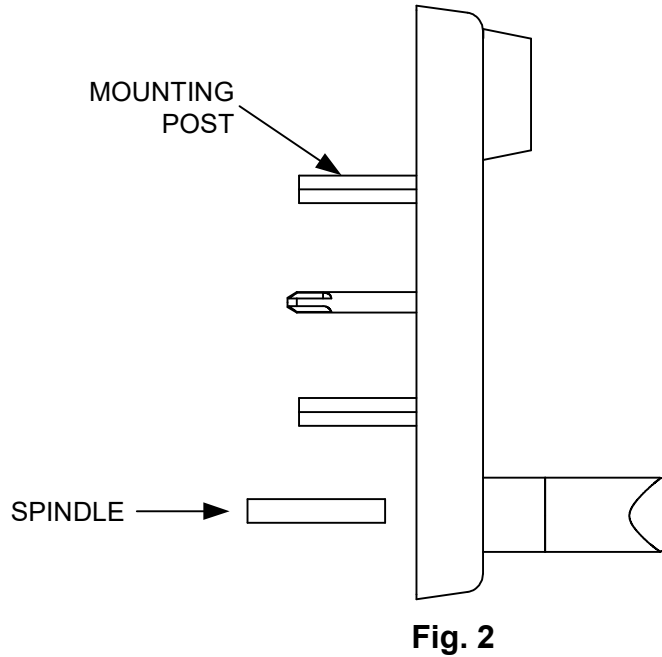
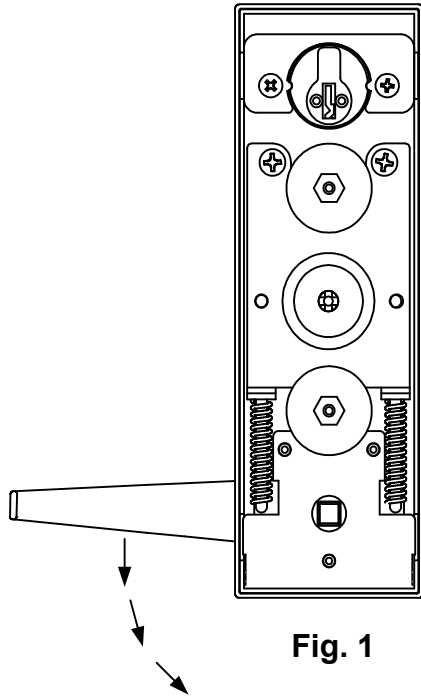


INSTALLATION INSTRUCTIONS

EK408 & GK408 KEY LOCKS / UNLOCKS LEVER LEVER HANDING & MOUNTING

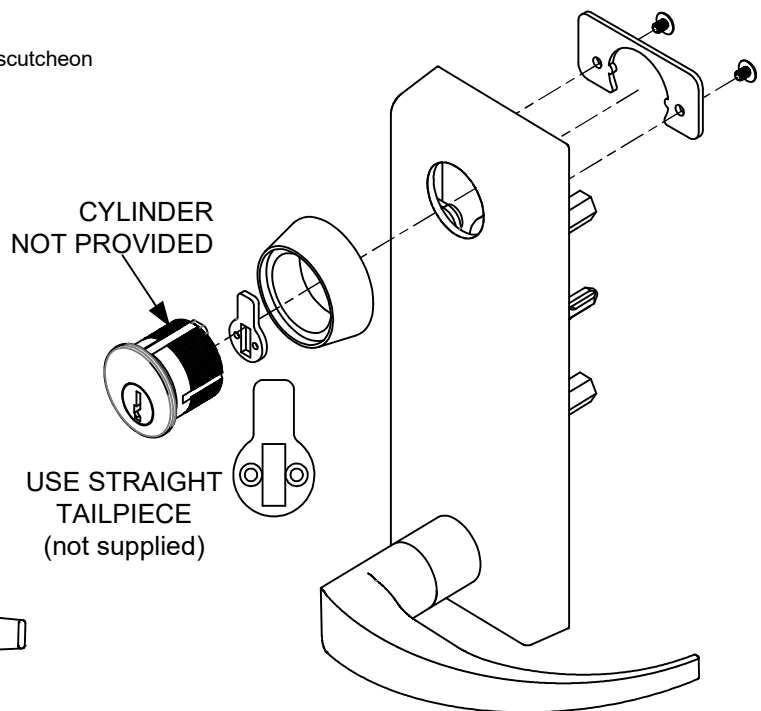
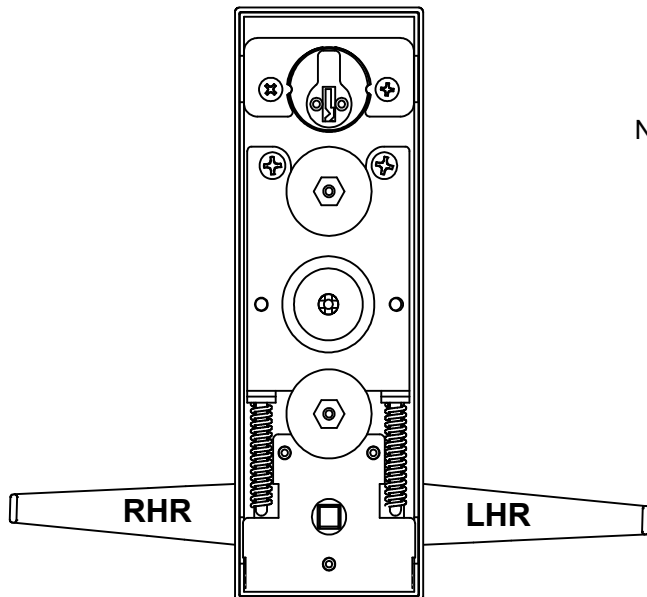
CHANGE HAND OF LEVER HANDLE

1. Turn lever handle to the right or left direction to meet door handing (Fig. 1).
2. Insert the square spindle into the hub (Fig. 2).
3. Proceed with Escutcheon Trim Device instructions.

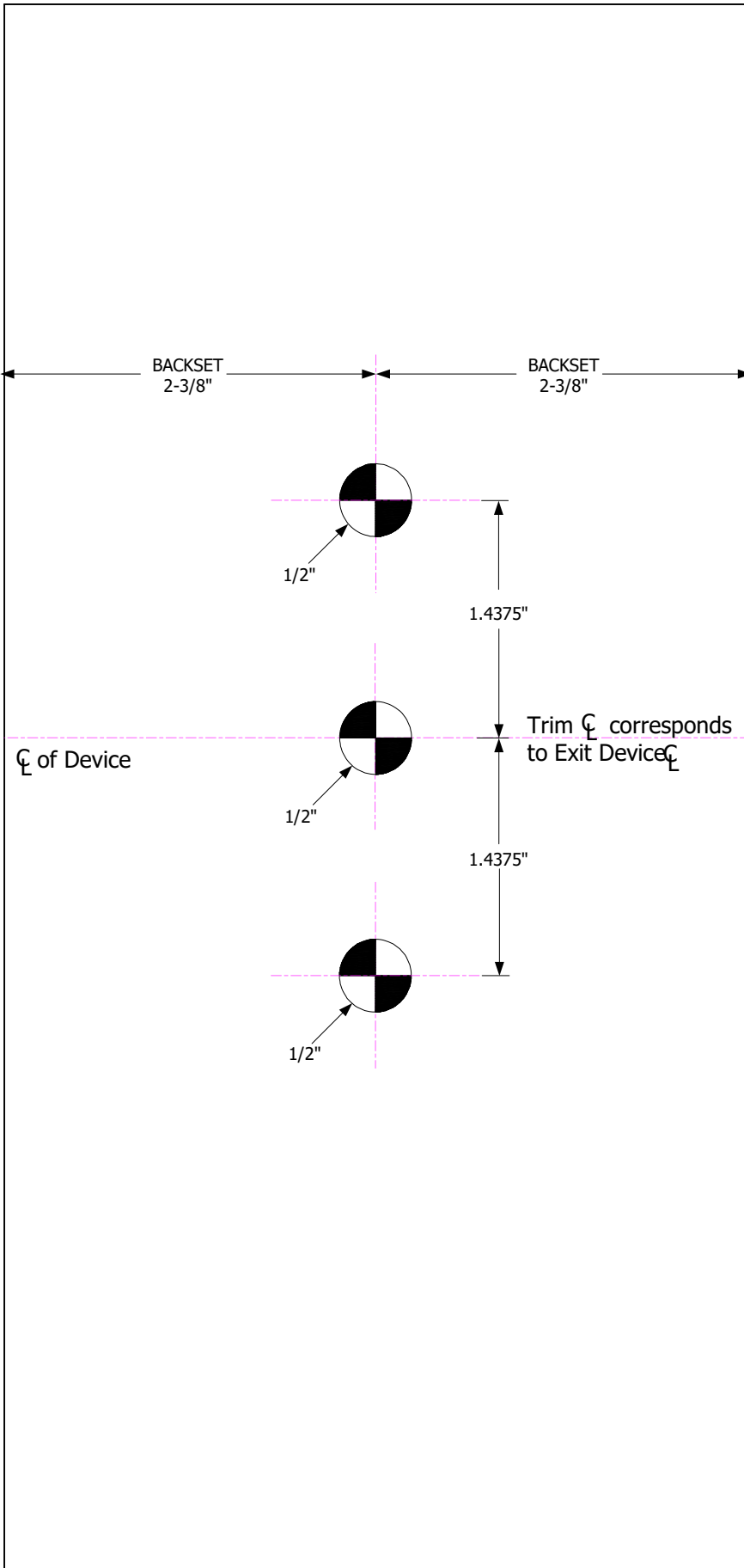


INSTALL RIM CYLINDER

1. Slide Cylinder Collar onto rim Cylinder Body.
2. Align Tailpiece with Tailpiece guide & install Rim Cylinder into Escutcheon & through the Cylinder alignment.



Any suggestions or comments to this instruction or product are welcome. Please contact us through our website or email engineer@sdsecurity.com



Simple Instructions:

1. Use the corresponding drills at indicated locations. Drill holes through the door to accept the two escutcheon locator pins and the spindle.
2. Fasten the supplied mounting screws into the hex standoffs on the trim, from the inside of the door. The two screws must go through the chassis of the exit device.
3. Install cylinder. See installation instructions on reverse side (Cylinder **NOT** included).

NOTE:

1. For single doors and double doors with mullion, use the backset dimension of 2-3/8" to **FACE OF STOP**.

**EK408, GK408
TEMPLATE
KEY LOCKS / UNLOCKS LEVER
(DIMENSIONAL DRAWING ONLY NOT
TO SCALE)**