

INSTALLATION INSTRUCTIONS ELECTRIC TRIM EKE03/GKE03 SERIES

CHANGE HAND OF LEVER HANDLE

1. Turn lever handle to the right or left direction to meet door handing (Fig. 1).
2. Insert the square spindle into the hub (Fig. 2).
3. Proceed with Escutcheon Trim / Panic Device instructions.

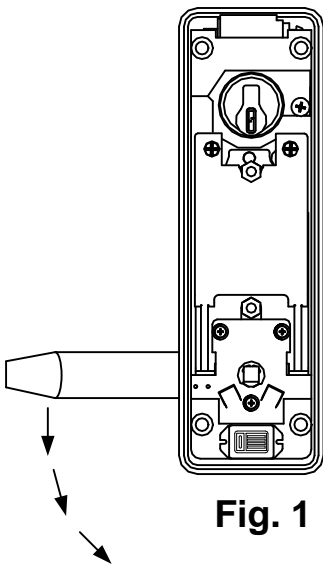


Fig. 1

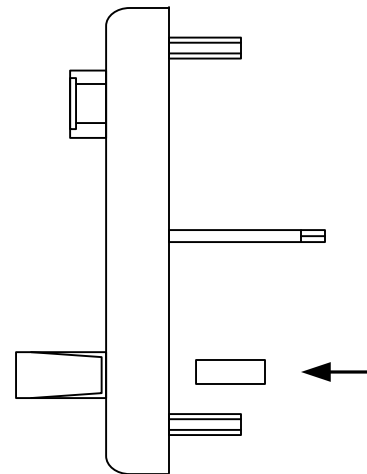
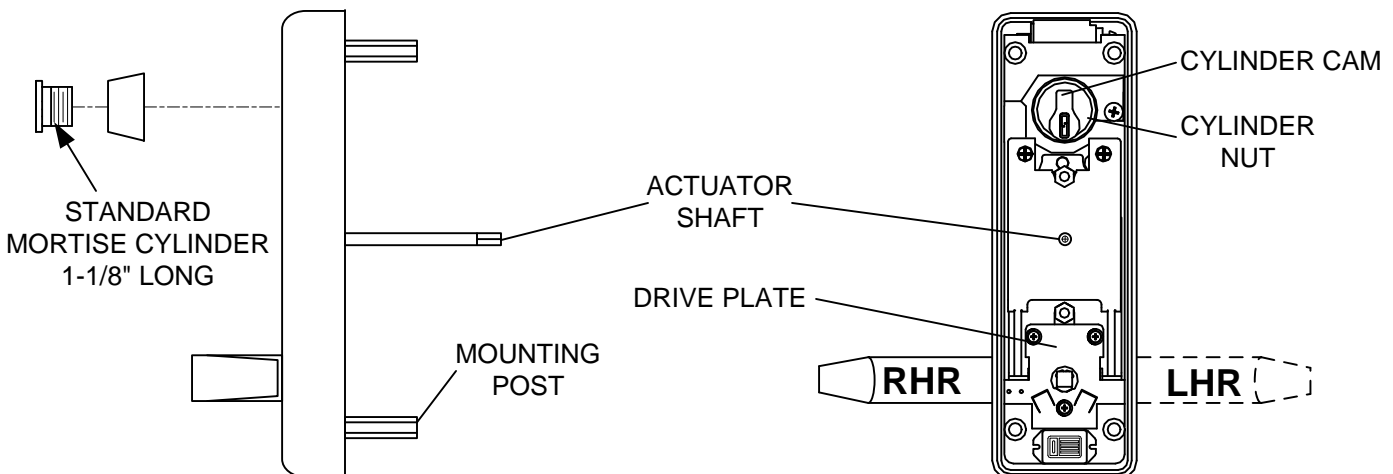


Fig. 2

INSTALL MORTISE CYLINDER

1. Position collar on mortise cylinder, then push through escutcheon trim with key removed and cam in position shown.
2. Install cylinder nut and screw down securely.
3. Insert key and test with lever.

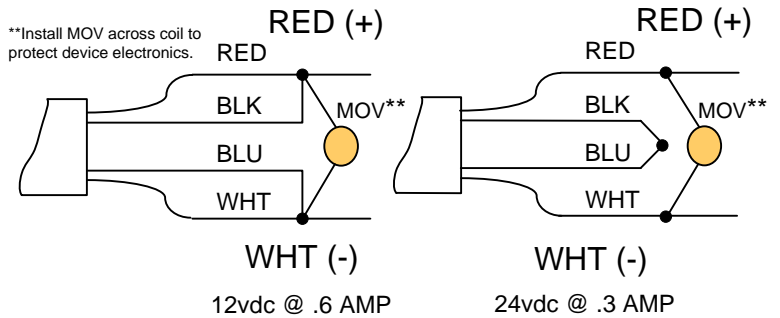
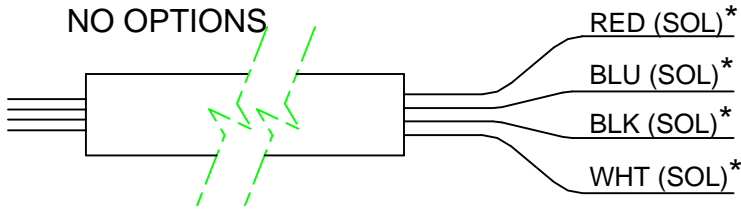


Any suggestions or comments to this instruction or product are welcome. Please contact us through our website or email engineer@sdsecurity.com

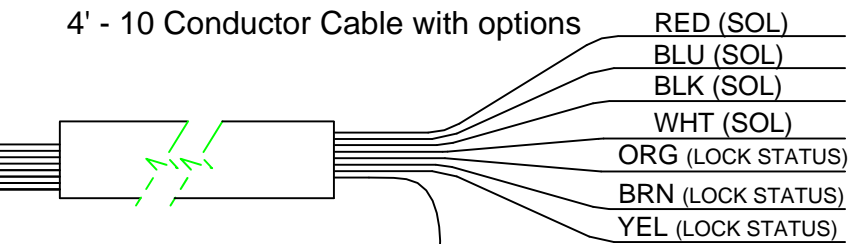
ELECTRICAL SPECIFICATIONS
SOLENOID = 12VDC @ .6 AMP 24VDC @ .3AMP

***SOLENOID VOLTAGE CONFIGURATION**

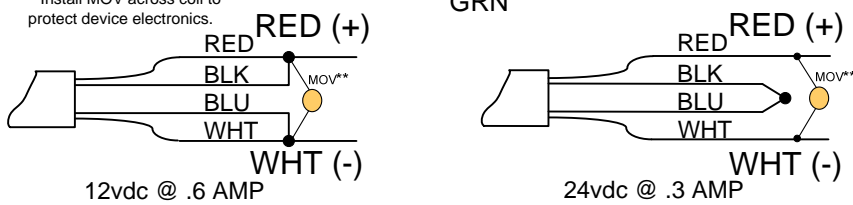
4' - Conductor Cable standard



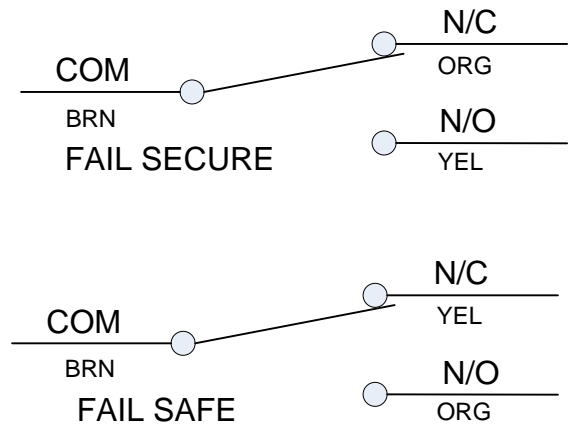
4' - 10 Conductor Cable with options



****Install MOV across coil to protect device electronics.**



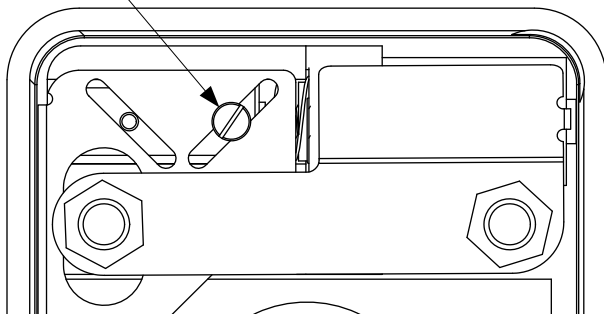
LOCK STATUS SWITCH



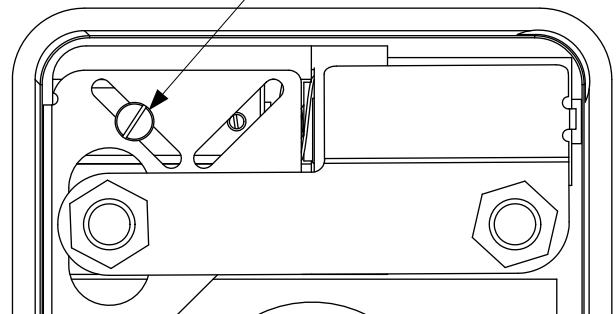
LOCKS ARE SHIPPED IN FAIL SECURE MODE. TO CHANGE TO FAIL SAFE MODE;

RUN WIRES THROUGH DOOR. FOR HOLLOW METAL DOORS RUN 1/2" CONDUIT. FOR WOOD DOORS DRILL 3/8" WIRE RACEWAY FROM HINGE SIDE THROUGH DOOR.

FAIL SECURE



FAIL SAFE



REMOVE THE INDICATED SCREW AND SWITCH POSITION AS SHOWN.