



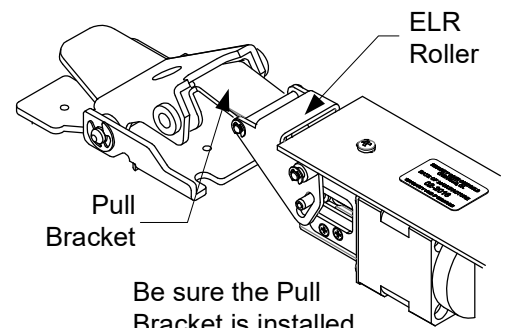
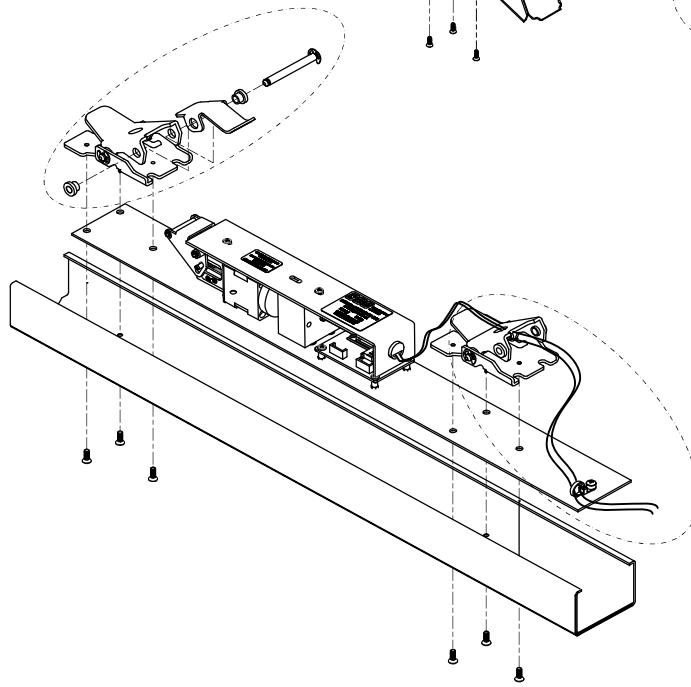
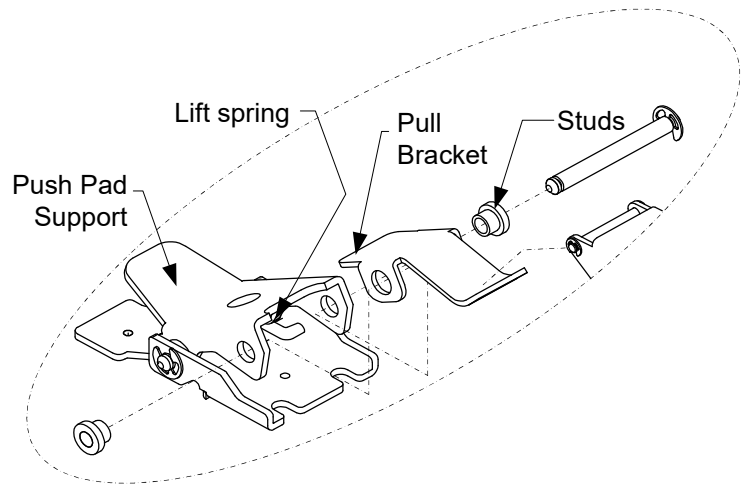
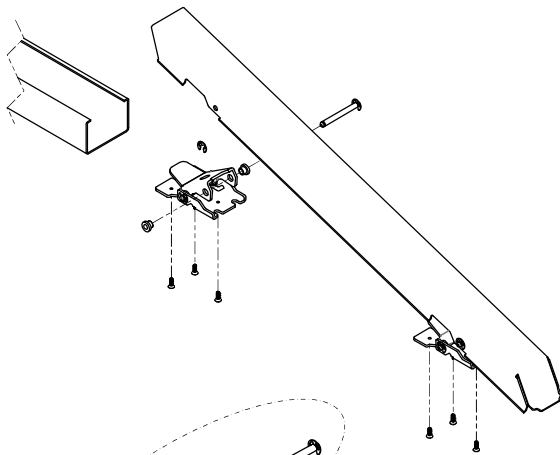
# INSTALLATION INSTRUCTIONS

## LR100AWK-ED910 ARROW ELECTRIC LATCH RETRACTION KIT MODEL: ED910

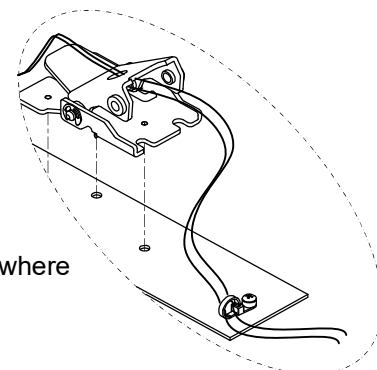
**Retrofit Installation Note:** 42" or 48" exit devices that have been modified to fit a 36" or smaller opening, may not have the required space to fit the standard E. L. R. assembly. Always verify the distance from the end of the touchpad to the end rail, and if necessary, consult with the factory for appropriate selection.

Remove and discard Dogging components. Remove the screws from the bottom of the housing and slide the push bar assembly from the housing and dis-assemble the front (head) end by removing the E-ring and pin as shown.

Remove studs on each side and lift the spring to insert the Pull Bracket between the Push Pad support. Replace studs to align bracket and reassemble the device.



Be sure the Pull Bracket is installed UNDER the ELR roller.



Route wires through hinge assembly then out through cable tie where shown. Tighten cable tie and cut off excess.

**ELECTRICAL DATA**  
24VDC @ 700/200mA  
RED (+)            BLK (-)  
PATENT #8,851,530  
PATENT PENDING

Any suggestions or comments to this instruction or product are welcome. Please contact us through our website or email engineer@sdsecurity.com