



INSTALLATION INSTRUCTIONS

LR100AWK ARROW ELECTRIC LATCH RETRACTION KIT MODELS: S1150 & S1250

Retrofit Installation Note: 42" or 48" exit devices that have been modified to fit a 36" or smaller opening, may not have the required space to fit the standard E. L. R. assembly. Always verify the distance from the end of the touchpad to the end rail, and if necessary, consult with the factory for appropriate selection.

Step 1

Remove access cover. Disconnect and discard all dogging components. Then remove the two pre-existing screws from the device.

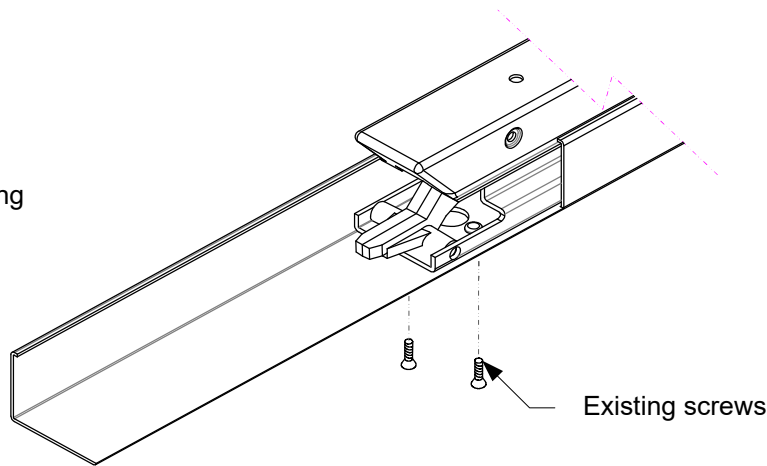
ELECTRICAL DATA

24VDC +/- 10%

1.5A inrush/200mA holding

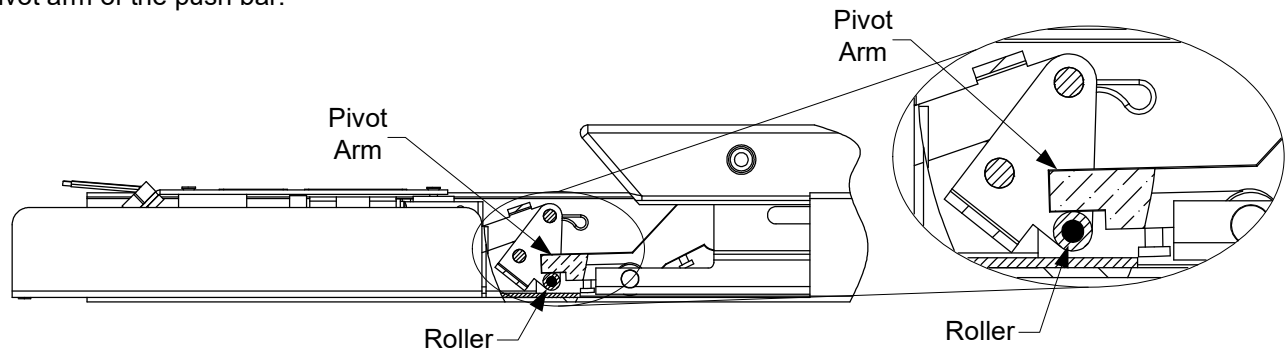
RED (+) BLK (-)

PATENT #8,851,530



Step 2

Slide the ELR assembly into the housing and under the hinge bracket. Position the roller at the front of the ELR under the pivot arm of the push bar.



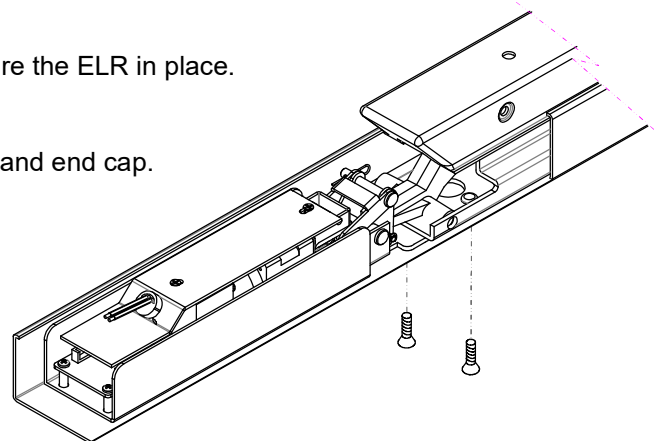
Step 3

Once ELR is in place re-fasten the exit device screws and secure the ELR in place.

Test the unit

Wire the unit and test function. Reinstall the cover (in reverse) and end cap.

When retrofitting to existing vertical rod devices, adjustment of the rods is required for proper operation of the Electric Latch Retractor. Once the unit is properly installed, energize it so the latch is dogged down, then reconnect the vertical rods to the device and make the proper adjustments to the rods.



Any suggestions or comments to this instruction or product are welcome. Please contact us through our website or email engineer@sdsecurity.com