



INSTALLATION INSTRUCTIONS

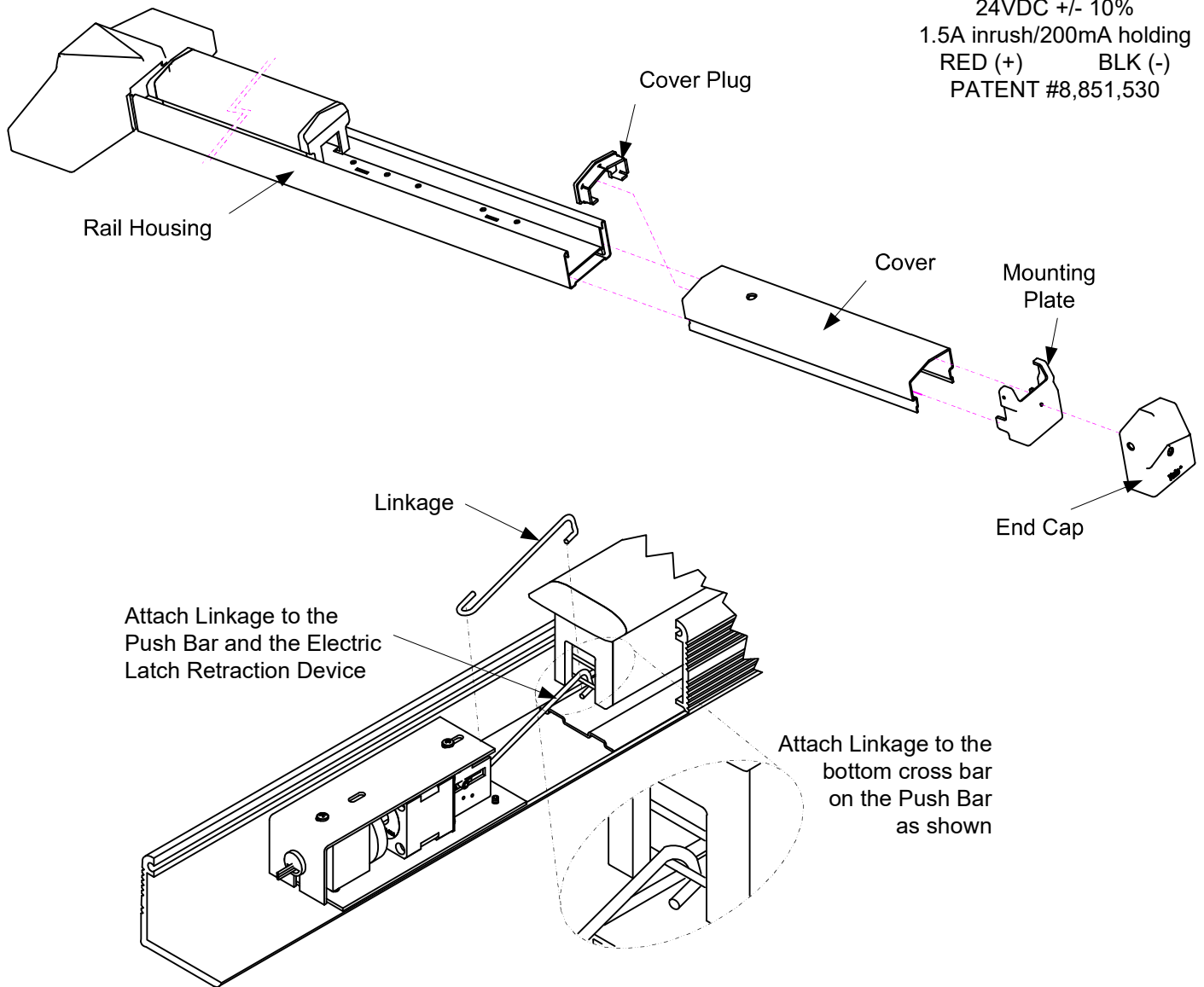
LR100CRK-EM CORBIN/RUSSWIN ELECTRIC LATCH RETRACTION KIT MODELS: ED4200, ED4800, ED5200, ED5400 & ED5800

Retrofit Installation Note: 42" or 48" exit devices that have been modified to fit a 36" or smaller opening, may not have the required space to fit the standard E. L. R. assembly. Always verify the distance from the end of the touchpad to the end rail, and if necessary, consult with the factory for appropriate selection.

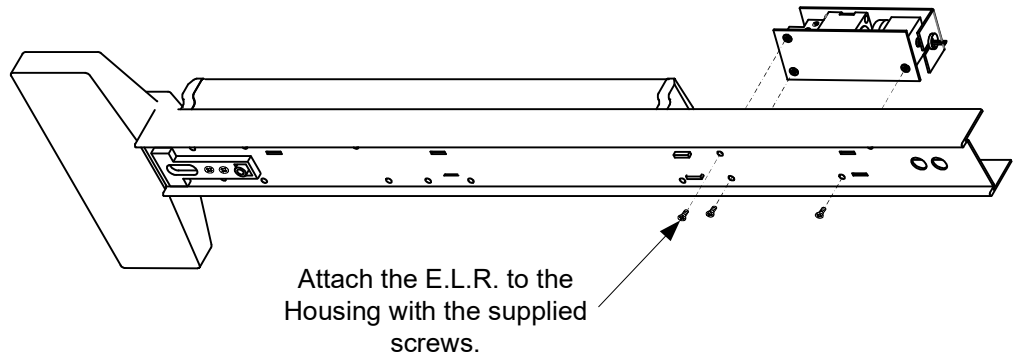
Remove the End Cap, Mounting Plate, Cover, Cover Plug, Rail Housing and Dogging.

ELECTRICAL DATA

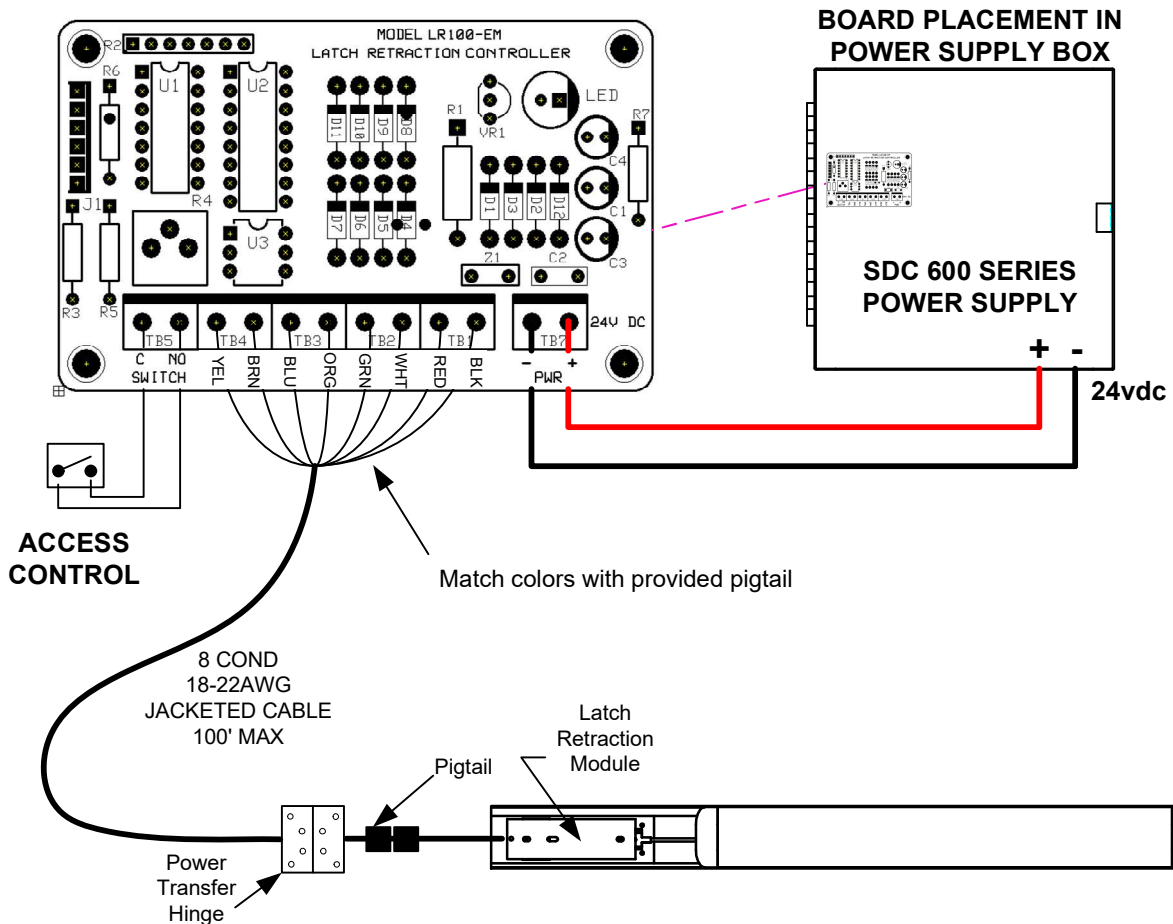
24VDC +/- 10%
1.5A inrush/200mA holding
RED (+) BLK (-)
PATENT #8,851,530



Replace Housing Cover, Cover with Plug, End Cap and the End Cap Cover.



Note for Vertical Rod Devices: Once the ELR is properly installed, disconnect the vertical rods from exit device and energize the ELR so that the push pad is dogged down. This will allow for proper alignment of the vertical rods. Reconnect the vertical rods to the device and make the proper adjustments.





Wire colors from provided Pigtail must connect to the same colors marked on PCB. If the Jacketed Cable does not have the same colors as the Pigtail, use the following chart to mark the color connections from Pigtail to Jacketed Cable to PCB.

