



INSTALLATION INSTRUCTIONS

LRAR1R

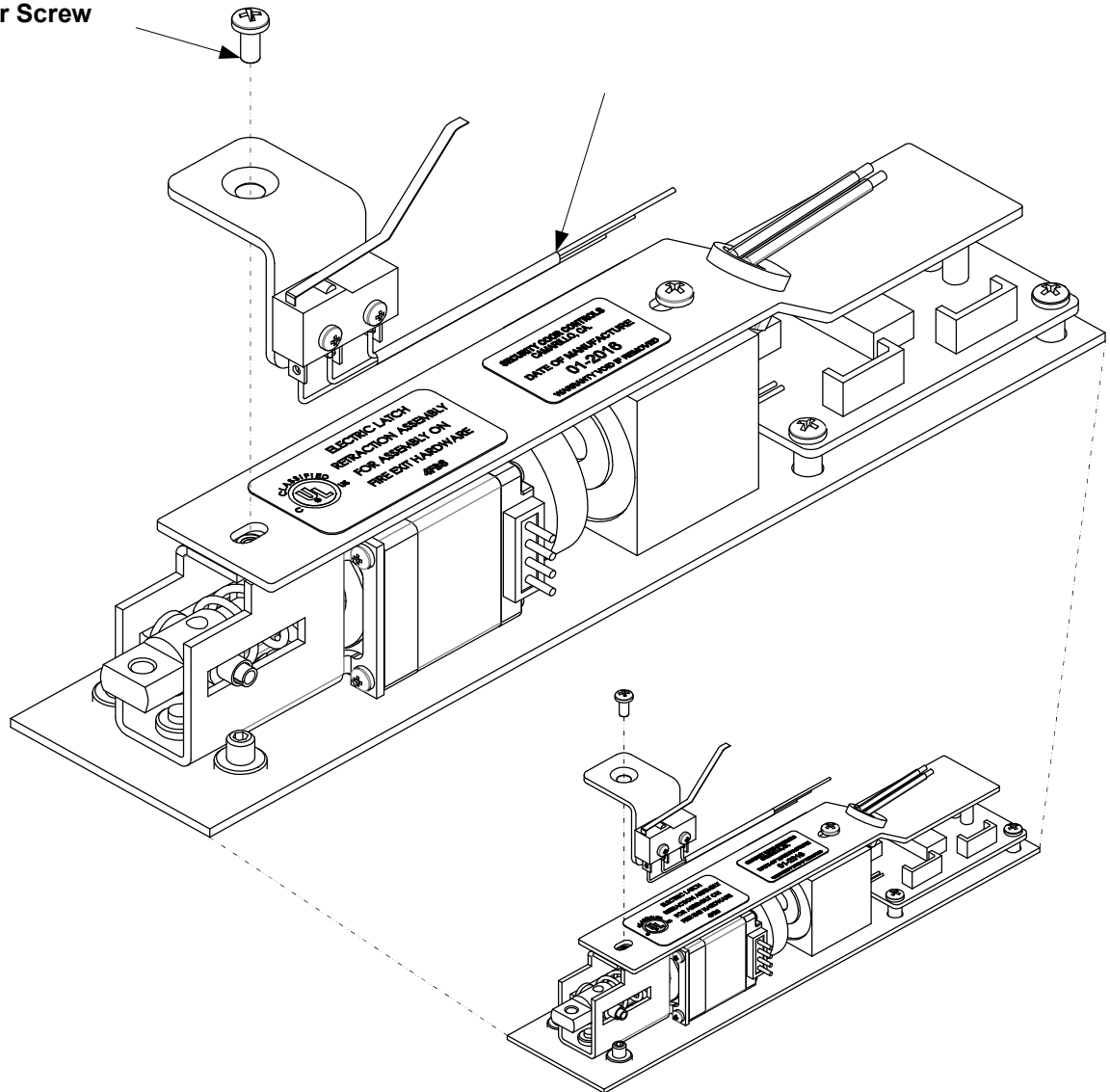
REX SWITCH ASSEMBLY

ADAMS RITE MODELS: 3100, 3600, 3700, 8100, 8200, 8500, 8600 & 8700

Use the existing screw located on front of the cover to attach the LRA1R Switch Assembly where shown.

NOTE: Remove E.L.R. Assy. from device for proper installation

Existing E.L.R.
Cover Screw



WHT/RED – COM
ORG/RED – N/O
YEL/RED – N/C
5 AMP @ 125 VAC
RESISTIVE

Any suggestions or comments to this instruction or product are welcome. Please contact us through our website or email engineer@sdsecurity.com