



INSTALLATION INSTRUCTIONS

LRFA1R FALCON (DOR-O-MATIC) REX SWITCH KIT MODELS: 1690 & 1790

Attach the switch assembly to the ELR unit with the supplied screws as shown.

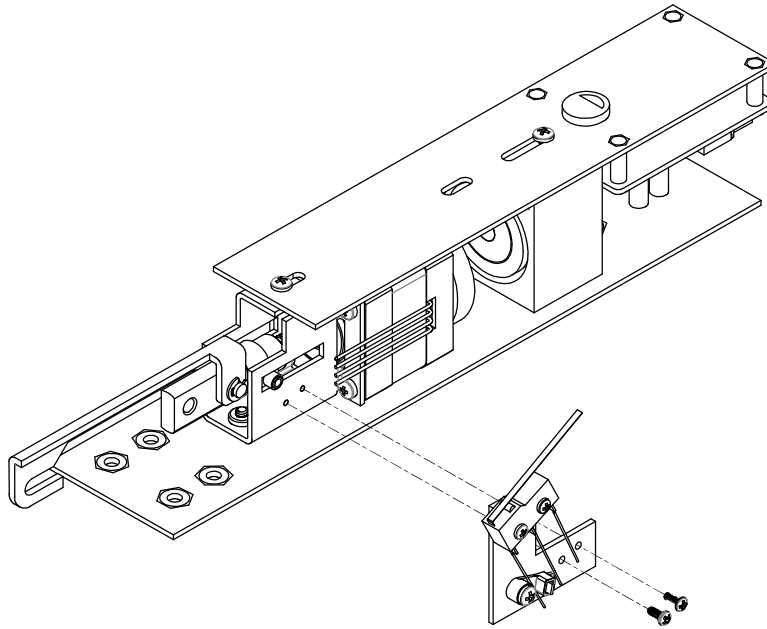
WIRING SPECIFICATION

WHT = COM

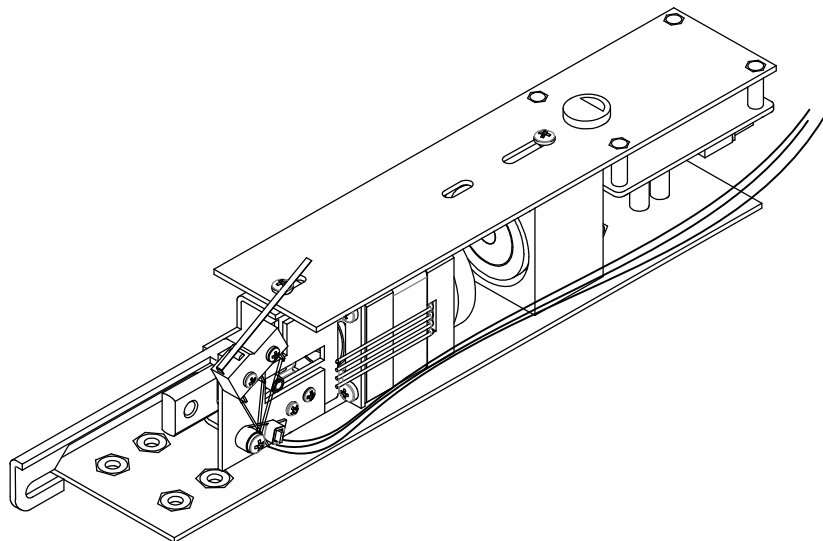
YEL = N/O

ORG = N/C

5AMP @ 125VAC
RESISTIVE



Route wires through the cable tie, along the side of the ELR and out.



Any suggestions or comments to this instruction or product are welcome. Please contact us through our website or email engineer@sdsecurity.com