



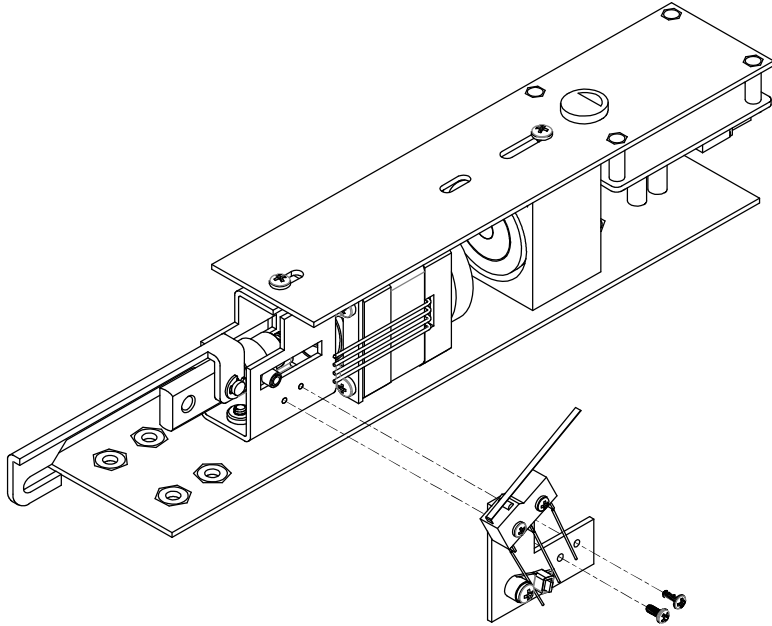
INSTALLATION INSTRUCTIONS

LRFC1R

FIRST CHOICE REQUEST-TO-EXIT SWITCH KIT

MODELS: 3600 & 3700

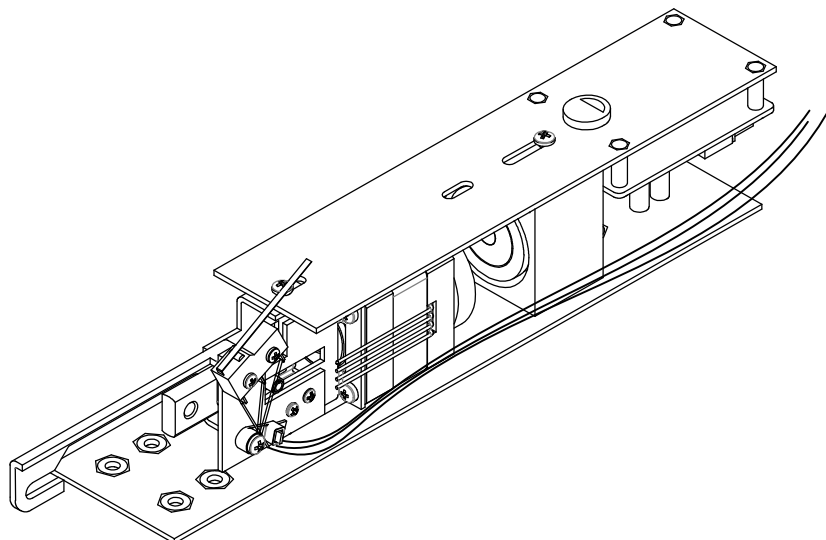
Attach the switch assembly to the ELR unit with the supplied screws as shown.



SWITCH SPECIFICATION

ORG - N/C
YEL - N/O
WHT - COM
5 AMP @ 125 VAC
RESISTIVE

Route wires through the cable tie, along the side of the ELR and out.



Any suggestions or comments to this instruction or product are welcome. Please contact us through our website or email engineer@sdsecurity.com