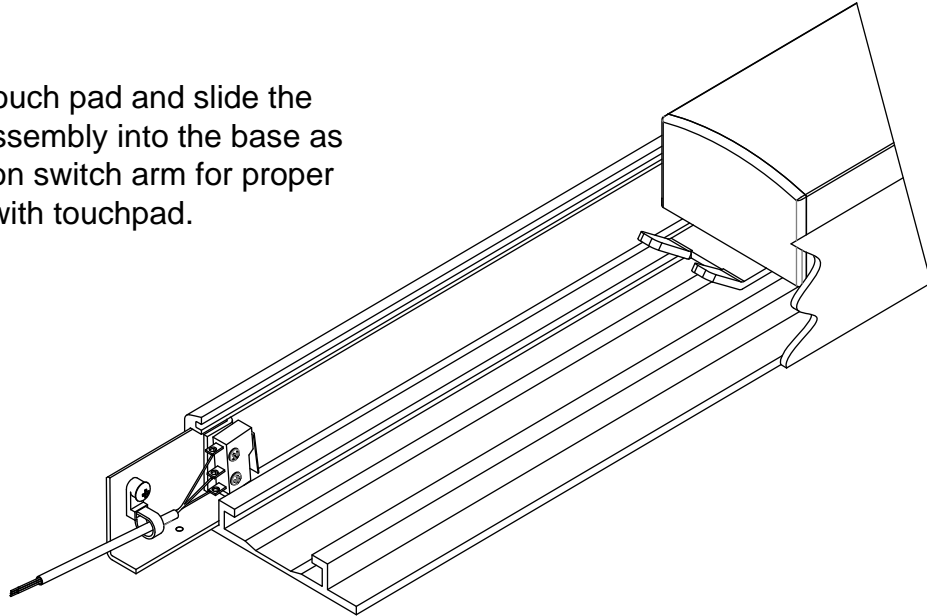


SDC SECURITY DOOR CONTROLS

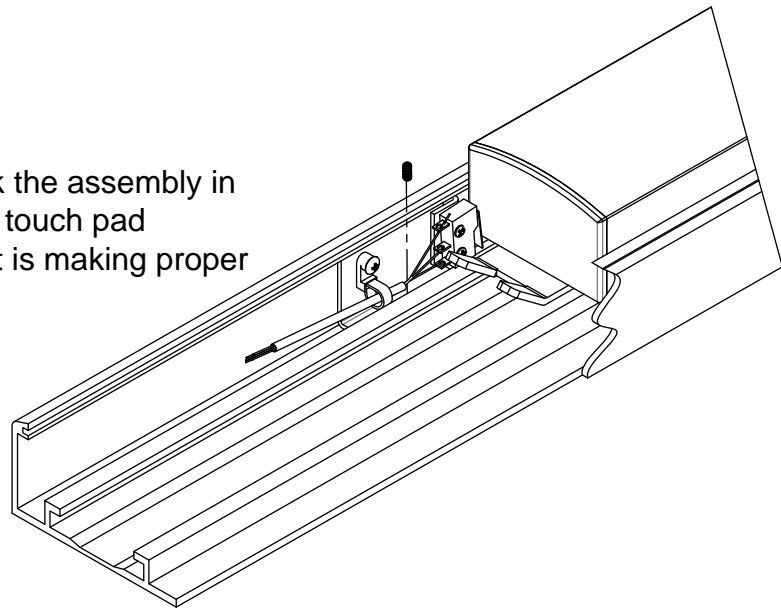
801 Avenida Acaso, Camarillo, Ca. 93012 • (805) 494-0622 • Fax: (805) 494-8861
www.sdcsecurity.com • E-mail: service@sdsecurity.com

INSTALLATION INSTRUCTIONS LRKWK1R KAWNEER REX SWITCH KIT MODEL: 1786 RIM DEVICE

Depress the touch pad and slide the REX switch assembly into the base as shown. Position switch arm for proper engagement with touchpad.



Tighten the set screw to lock the assembly in place. Release and depress touch pad several times to check that it is making proper contact with the switch.



WIRING DATA

WHT = COM
ORG = N/C
YEL = N/O

5AMP @ 125VAC
RESISTIVE