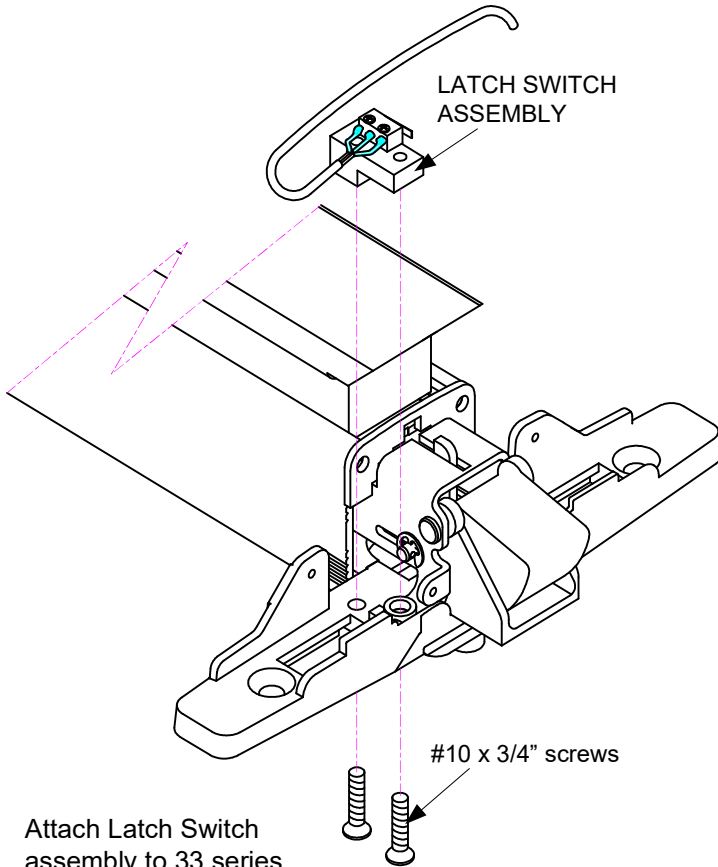




# INSTALLATION INSTRUCTIONS

## LRVD2L VON DUPRIN LATCH STATUS SWITCH KIT MODELS: 33A/35A RIM ONLY

Attach cable tie to the opposite side of the device with the #10 self-tapping screw provided. Carefully route cable over device head making sure NOT to impede the movement of the latch assembly. Secure cable in the cable tie and carefully route the cable down the inside wall of the extrusion.



Attach Latch Switch assembly to 33 series device head with the two #10 x 3/4" screws provided.

### SWITCH SPECIFICATION

RED - N/C  
 GRN - N/O  
 WHT - COM  
 3AMP @ 125VAC  
 RESISTIVE

