



# INSTALLATION INSTRUCTIONS

## PR-1000 POWER REGULATOR

The SDC PR-1000 Power Regulator reduces the power consumption of the bolt locks after activation of the lock. This allows for a heat reduction to the bolt lock. A dimension of 3.75" x 1.25" x .50" is required when mounted in frame.

The SDC PR1000 works specifically with the following Bolt Locks:

- 110
- 160I
- 180AI
- 1091AI
- 1190AI
- 1490AI
- FS23MI
- 210
- 260H
- 280AH
- 1291AH
- 2490AH

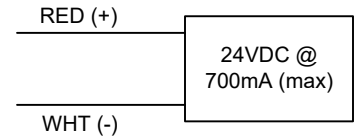
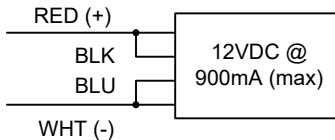
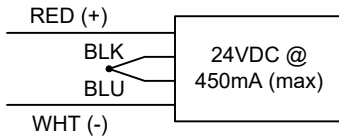
### PR1000 Input Voltage:

12/24 VDC/AC (+/-10%) NOTE: 1190A will operate at 24VDC only. DC voltage is recommended for optimal performance

**24VDC SOLENOID CONFIGURATION**  
(All models, except 1190A)

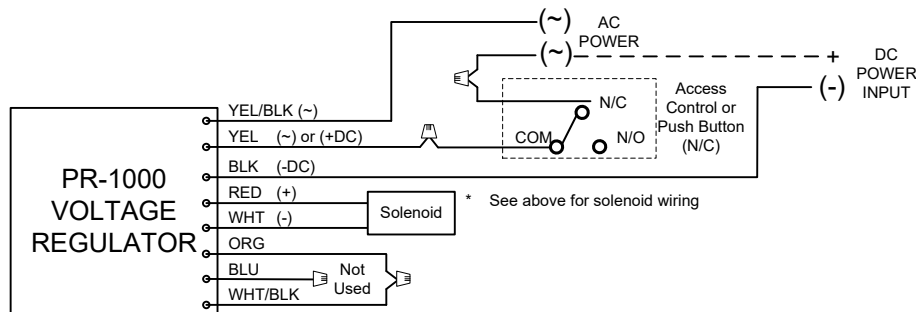
**12VDC SOLENOID CONFIGURATION**  
(All models, except 1190A)

**24VDC ONLY SOLENOID**  
(Model 1190A only)



### (A) Fail-safe Lock Without Auto Relock Switch (ARS)

Applicable Model: 110

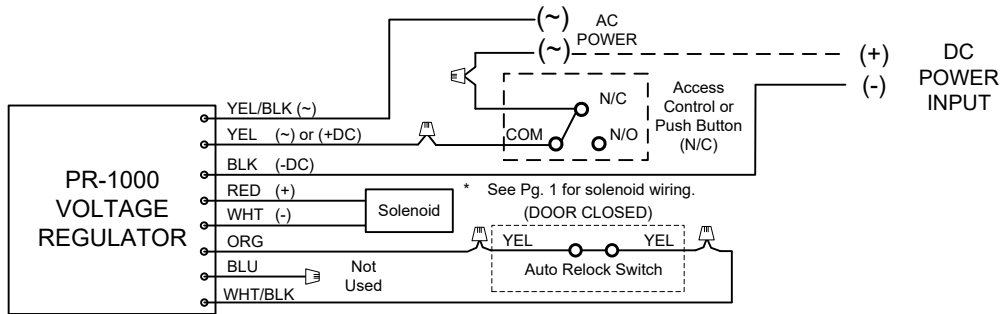


Any suggestions or comments to this instruction or product are welcome. Please contact us through our website or email [engineer@sdsecurity.com](mailto:engineer@sdsecurity.com)



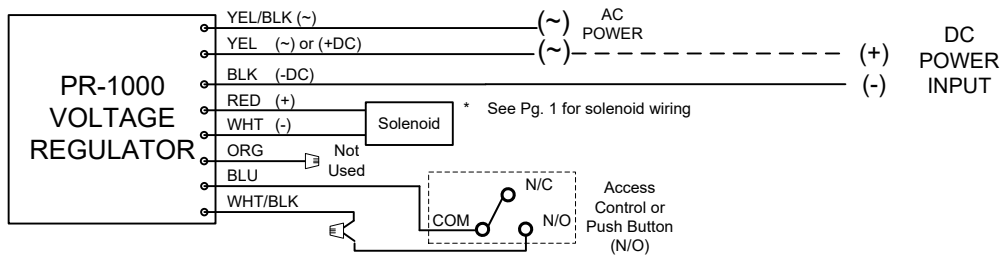
**(B) Fail-safe Lock With Auto Relock Switch (ARS)**

Applicable Model(s): 160I, 180AI, 1091AI, 1190AI, 1490AI, FS23MI



**(C) Fail-Secure Lock Without Auto Relock Switch (ARS)**

Applicable Model: 210



**(D) Fail-Secure Lock With Auto Relock Switch (ARS)**

Applicable Model(s): 260H, 280AH, 1291AH, 2490AH

