

Electrified Exit Device Solutions

- S5000 Access Control Application -

1 S5100 Electrified Exit Device



- Motorized Electric Latch Retraction and Dogging
- Request-To-Exit REX Monitoring Optional
- Aluminum Glass Door Applications

2 923 Narrow Series Digital Keypad



- Built-in Prox Reader
- Narrow, Indoor/Outdoor Use
- Surface, Mullion, or Single-Gang Mount
- Heavy Cast Vandal Resistant Housing

3 602RF Low Voltage Power Supply

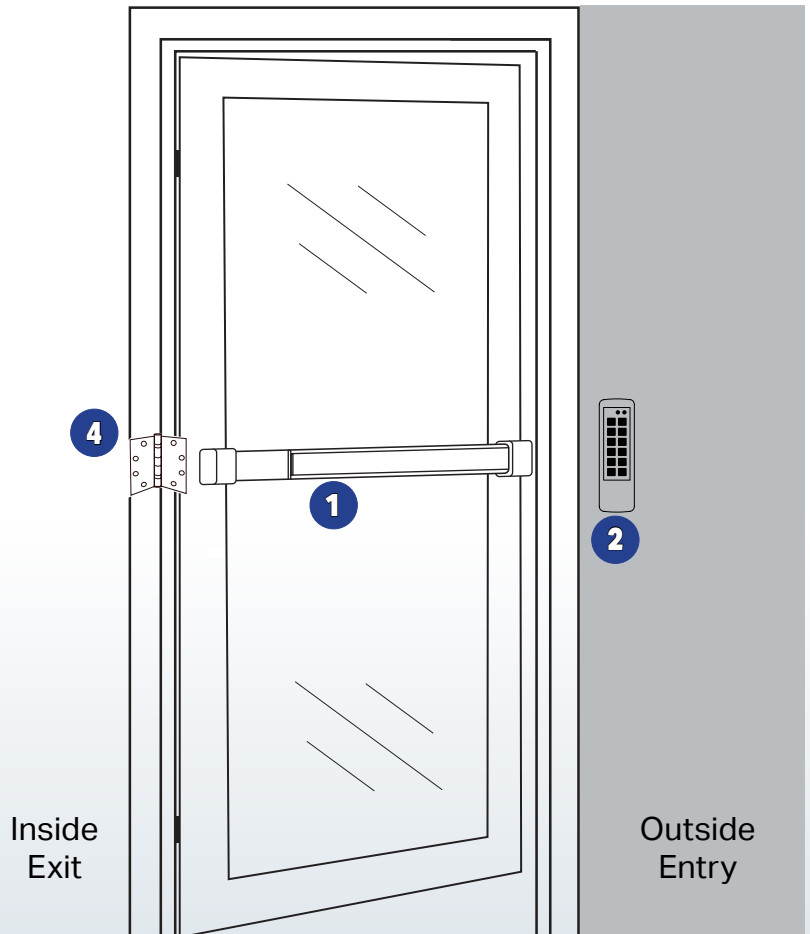
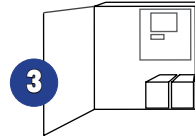


- 12/24VDC, 1 Amp
- Emergency Release
- 12" x 12" Cabinet
- UL, Class 2

4 PTH-2+4 Power Transfer Hinge

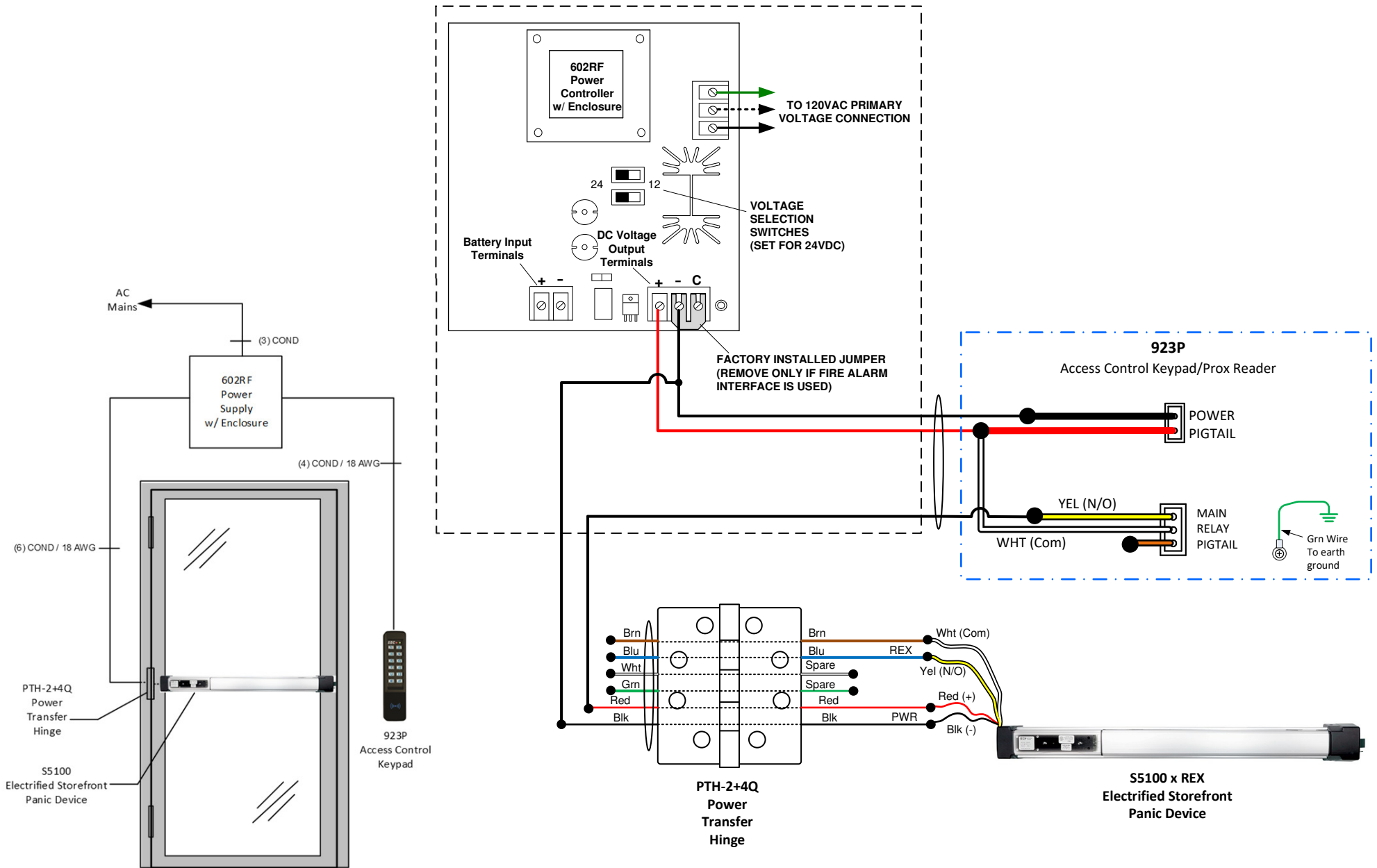


- Six Wire Power Transfer Hinge
- 5-ft Cable, 28 Ga.
- 4.5"x4.5" Standard Weight
- UL 10B Listed For Fire Door
- 100,000 Cycles, Wire Replacement Warranty



The S5000 Access Control Solution Provides:

- Grade 1 Electrified Exit Device
- Motorized Electric Latch Retraction & Dogging
- Request-To-Exit Monitoring Optional
- Code Compliant Alternative to Magnetic Locks for Storefront Applications



© 2020 Security Door Controls Printed in U.S.A

SDC Security Door Controls
 801 Avenida Acaso
 Camarillo, CA 93012
 t 805.494.0622 ~ f 805.494.8861
 www.sdcsecurity.com

NOTE: ALL WIRING MUST BE REVIEWED AND APPROVED BY THE PROJECT ENGINEER ASSIGNED TO THE LOCATION FOR ITS CORRECTNESS AND SUITABILITY FOR THE APPLICATION IN THE WHICH THE EQUIPMENT IS INSTALLED AND OPERATED. ALL WIRING MUST CONFORM TO NATIONAL, STATE, AND LOCAL CODES FOR CLASS 2 FIRE PROTECTION AND CONTROL DEVICES.

PROJECT NAME: -		TITLE: S5000 Access Control Application		SO NO.: -	REV -
LOCATION:. -	DIST.: -	CONTACT: -	DATE: --	DRAWN BY: -	DWG. NO.: XXXX