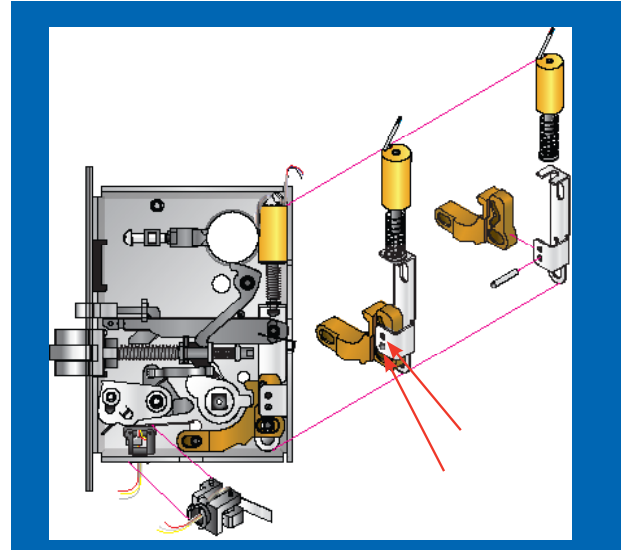
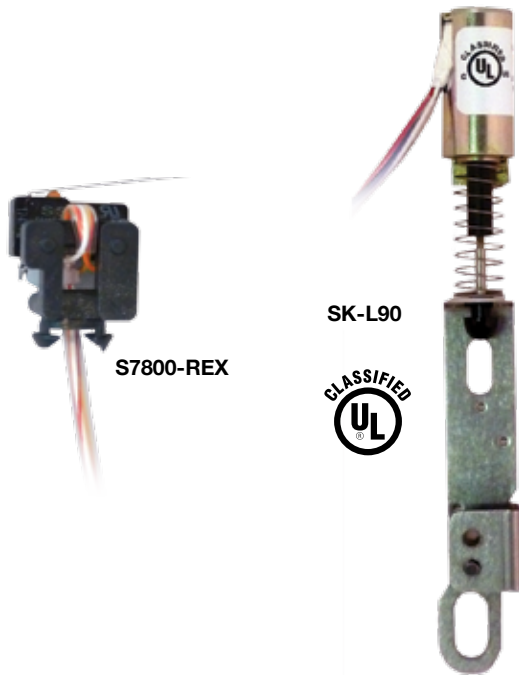


SK Field Kit

Electrify Mechanical Mortise Locks



Convert Mechanical Lock into Electric Access Controlled Lock. **SDC SK Field Electrification Kit** for Schlage L9000, Yale 8805 or Sargent 8206 mortise locks allows for fast electrification of existing locks in the field. Failsafe and Failsecure options are easily selected and can be changed in the field to suit any need. Optional Request-To-Exit kit provides indication of inside lever operation for alarm shunt, remote annunciation or CCTV activation.

FEATURES

- Reversible Failsafe or Failsecure
- 12VDC or 24VDC Input
- Installs Quick & Easy
- Available for Schalge, Yale and Sargent

SPECIFICATIONS

Voltage For Electrification Kits 600/300 mA @ 12/24VDC

Voltage For REX and Latch Kits SPDT 5 AMP @ 30VDC

MODELS

- SK-L90** Kit for **Schlage L9070** Mechanical Mortise Lockset
- SK-L90-SC** Kit, including Springcage for **Schlage L9080** Mechanical Mortise Lockset
- SK-88** Kit for **Yale 8805** Mechanical Mortise Lockset
- SK-82** Kit for **Sargent 8204** Mechanical Mortise Lockset
- S7800-REX** REX kit for **Schlage L9070** and **L9080** (indicates inside lever operation for access control input, alarm shunt, remote annunciation or CCTV auxiliary device activation)
- LM-88** Field Latch Kit for **Yale 8805**
- LM-82** Field Latch Kit for **Sargent 8204**



