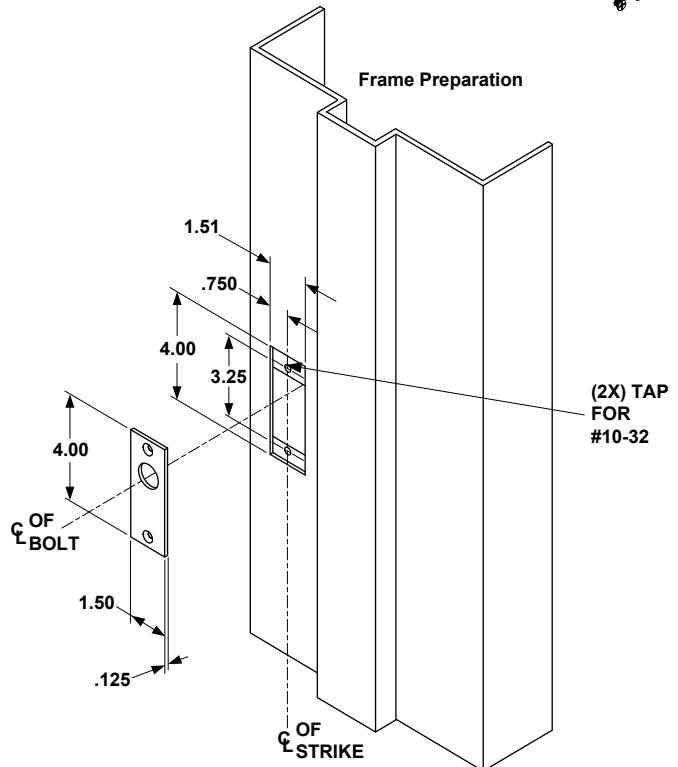
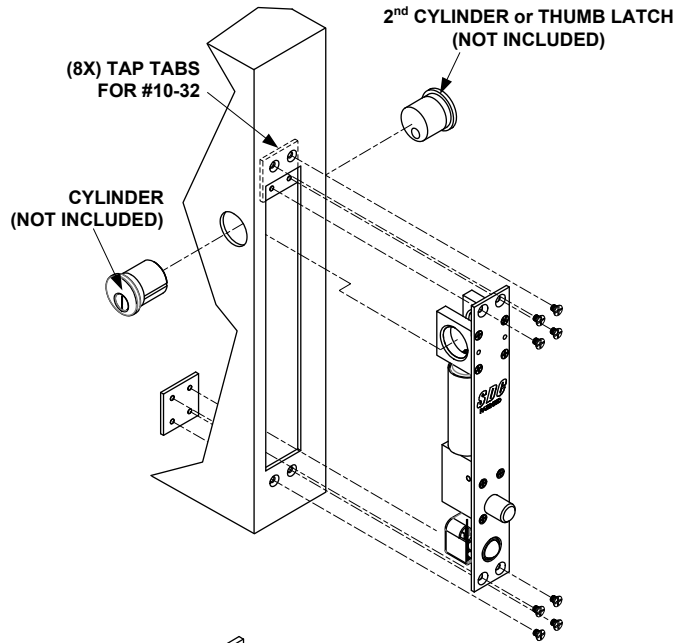
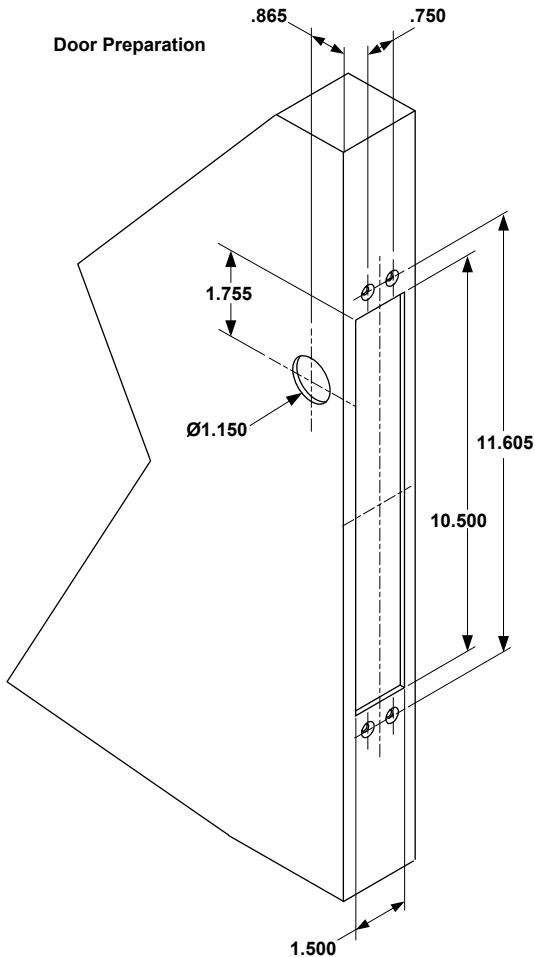


SDC Security Door Controls

801 Avenida Acaso, Camarillo, Ca. 93012 • (805) 494-0622 •
 www.sdcsecurity.com • E-mail: service@sdsecurity.com

1091ADDMR INSTALLATION INSTRUCTIONS/TEMPLATE MECHANICAL RELEASE (DOOR MOUNT - DOUBLE CYLINDER)



NOTE: TEMPLATE DIMENSIONS ARE SUBJECT TO CHANGE WITHOUT NOTICE.

TECHNICAL DATA (FOR STANDARD UNIT)

FACE PLATE: 10-1/2" x 1-1/2" X 1/8"

STRIKE: 4" x 1-1/2" x 1/8"

ID REQUIREMENTS: 10-1/2" x 1-1/2" x 1-1/2"

BOLT: 5/8" DIA. STAINLESS STEEL

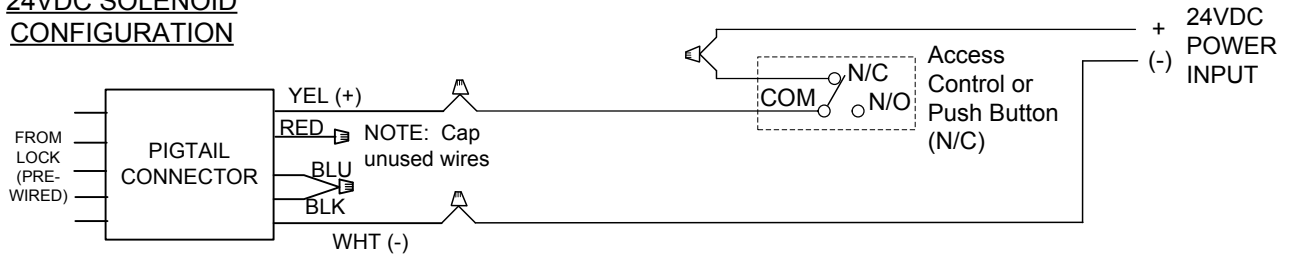
BOLT THROW: 3/4"

Any suggestions or comments to this instruction or product are welcome. Please contact us through our website or email engineer@sdsecurity.com

LOCK WIRING

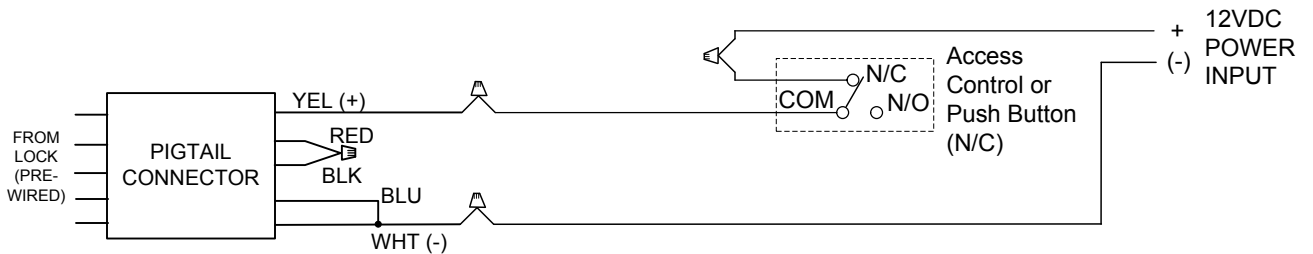
Select 24VDC OR 12VDC Configuration, and use provided pigtail connector:

24VDC SOLENOID CONFIGURATION



ELECTRICAL DATA:
Dual Voltage Solenoid
 12VDC @ .9 mA (max.)
 24VDC @ .45 mA (max.)
 Continuous Duty

12VDC SOLENOID CONFIGURATION

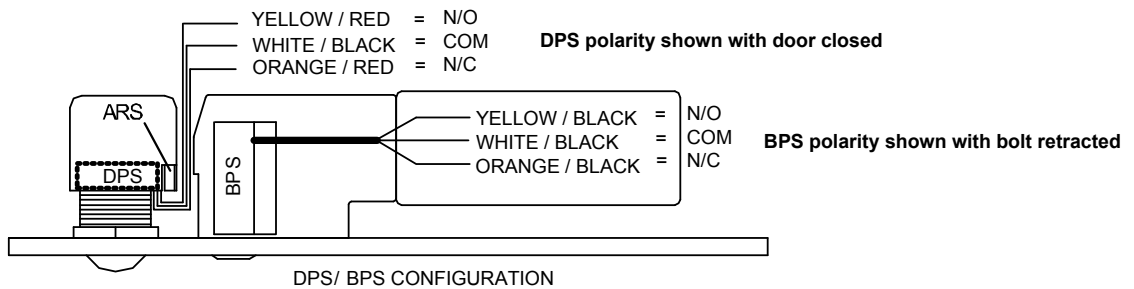


OPTIONAL BOLT POSITION SENSOR (BPS-MAGNETIC)

B Indicates bolt locked or unlocked 5 Watt

OPTIONAL DOOR POSITION SWITCH (DPS-MECHANICAL)

D Indicates door opened or closed 4A @ 30VDC (Resistive)



*When both options are ordered the Common is shared