



INSTALLATION INSTRUCTIONS

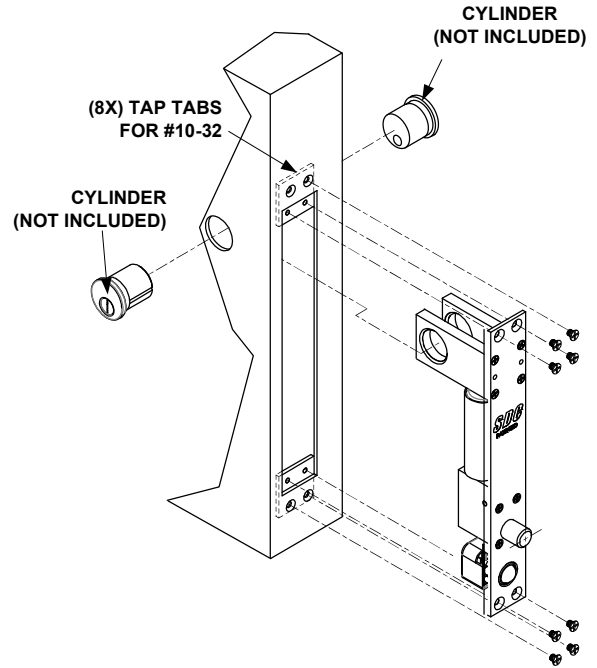
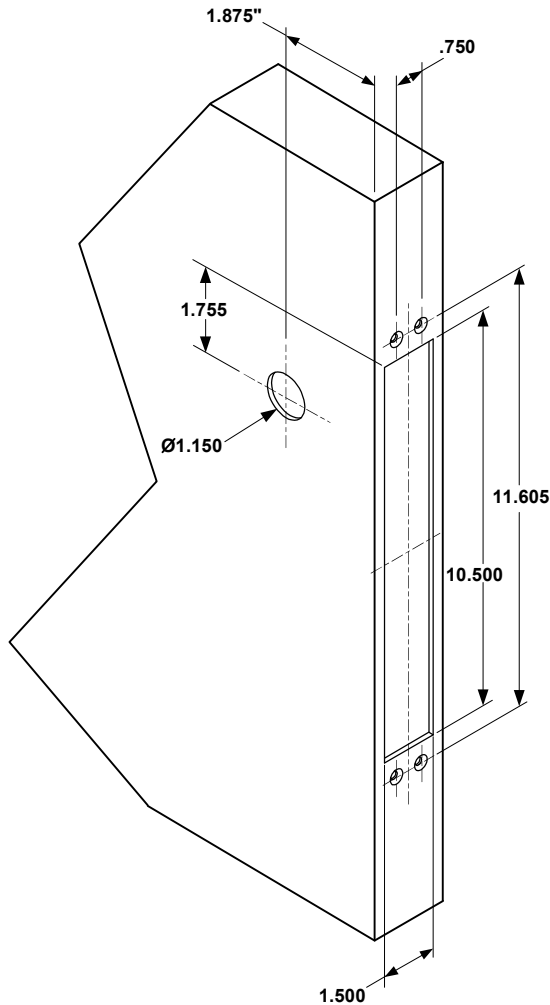
1291ADDMR1

(1.875" BACKSET)

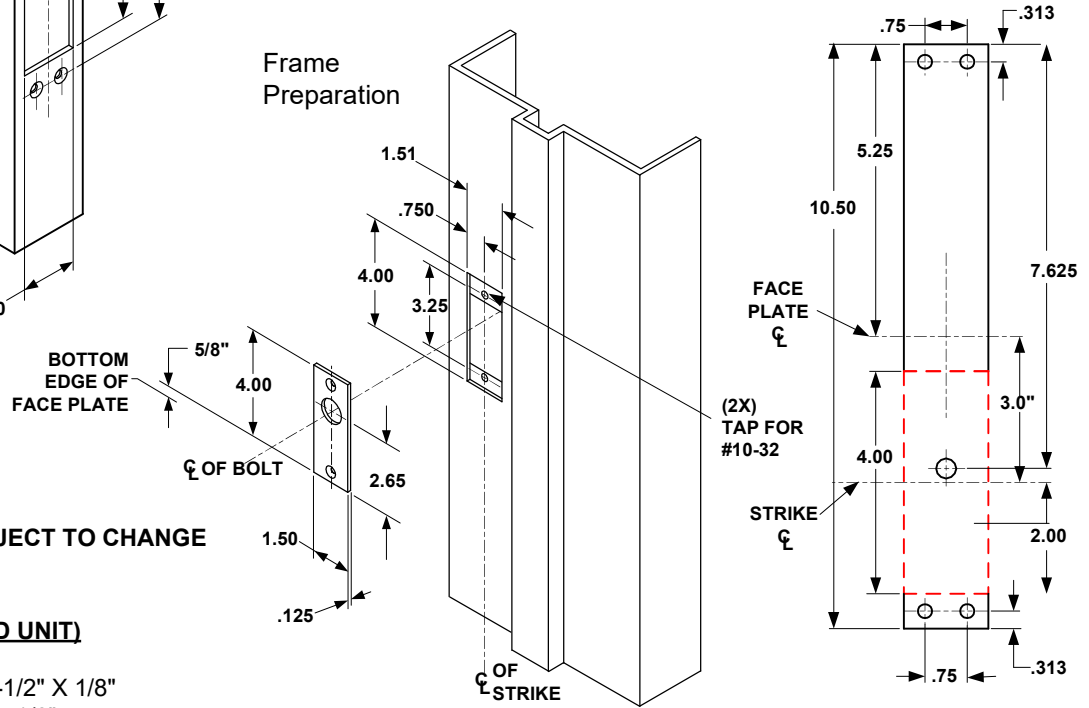
BOLT LOCK MECHANICAL RELEASE

(DOOR MOUNT – DOUBLE CYLINDER)

Door Preparation



Frame Preparation



NOTE:
TEMPLATE DIMENSIONS ARE SUBJECT TO CHANGE WITHOUT NOTICE.

TECHNICAL DATA (FOR STANDARD UNIT)

FACE PLATE:	10-1/2" x 1-1/2" X 1/8"
STRIKE:	4" x 1-1/2" x 1/8"
ID REQUIREMENTS:	10-1/2" x 1-1/2" x 2-7/8"
BOLT:	5/8" DIA. STAINLESS STEEL
BOLT THROW:	3/4"
BACK SET:	1.875"

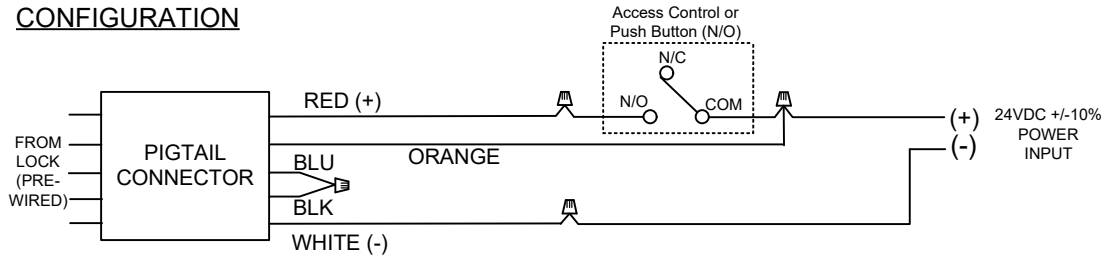
Any suggestions or comments to this instruction or product are welcome. Please contact us through our website or email engineer@sdsecurity.com



LOCK WIRING

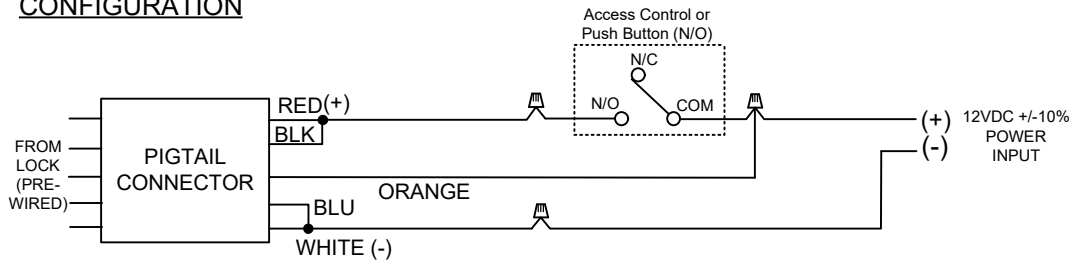
Select 24VDC OR 12VDC Configuration, and use provided pigtail connector:

24VDC SOLENOID CONFIGURATION



ELECTRICAL DATA:
Dual Voltage Solenoid
 12VDC@ .9 mA (max.)
 24VDC@ .45 mA (max.)
 Continuous Duty

12VDC SOLENOID CONFIGURATION

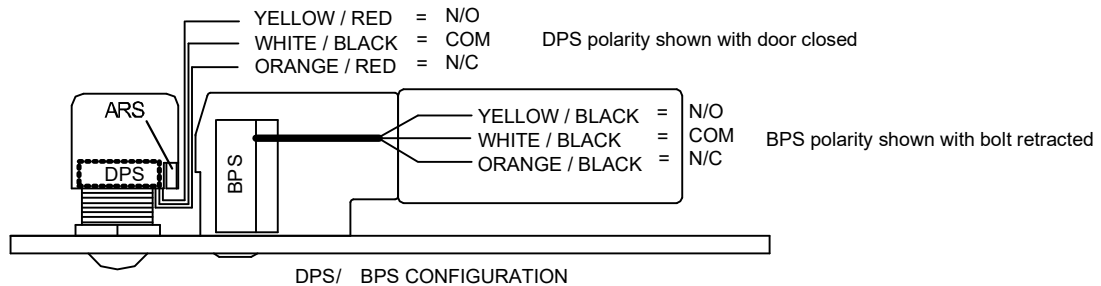


OPTIONAL BOLT POSITION SENSOR (BPS-MAGNETIC)

B	Indicates bolt locked or unlocked	5 Watt
---	-----------------------------------	--------

OPTIONAL DOOR POSITION SWITCH (DPS-MECHANICAL)

D	Indicates door opened or closed	4A @ 30VDC (Resistive)
---	---------------------------------	------------------------



*When both options are ordered the Common is shared