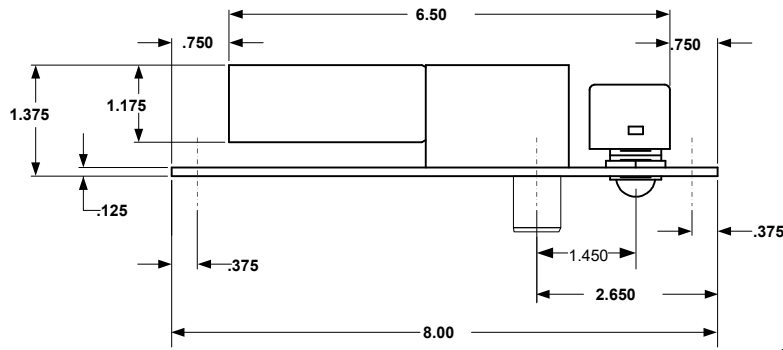




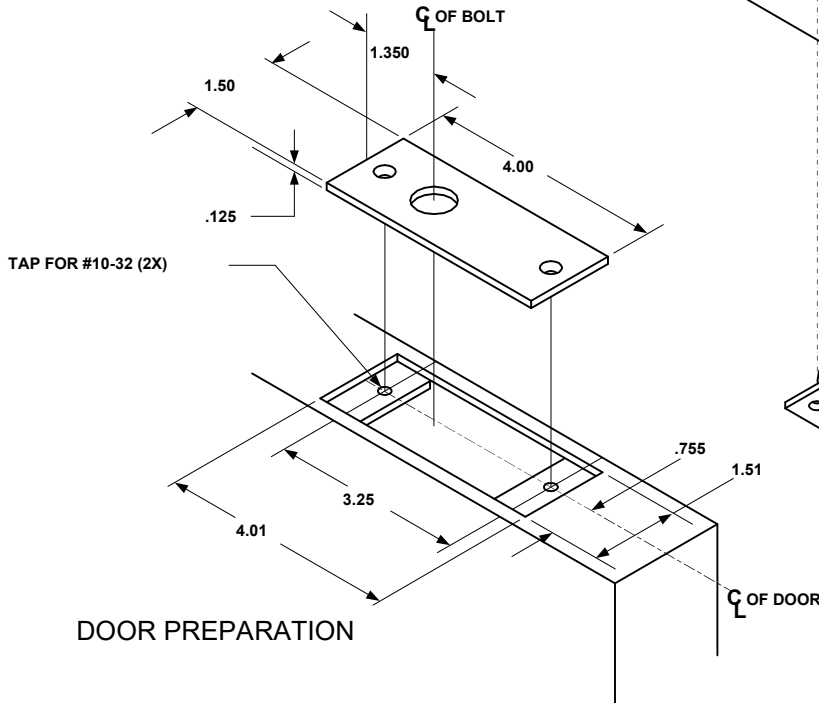
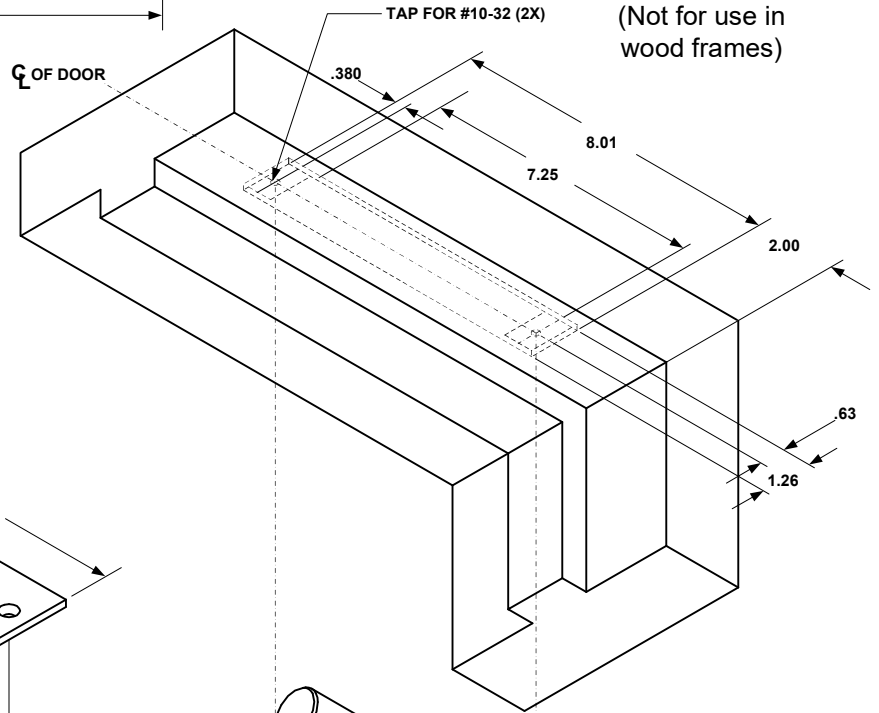
INSTALLATION INSTRUCTIONS

2490A TEMPLATE



NOTE: TEMPLATE DIMENSIONS ARE SUBJECT TO CHANGE WITHOUT NOTICE.

FRAME PREPARATION
(Not for use in wood frames)



TECHNICAL DATA (FOR STANDARD UNIT)

- FACE PLATE:** 8" x 1-1/4" x 1/8"
- STRIKE:** 4" x 1-1/2" x 1/8"
- ID REQUIREMENTS:** 8" x 1-1/2" x 1-3/8"
- BOLT:** 5/8" DIA. SOLID STAINLESS STEEL
- BOLT THROW:** 1/2"
- PR-1000 MODULE:** 3-3/4" x 1-1/4" x 1/2" (Required when mounted in frame)

Any suggestions or comments to this instruction or product are welcome. Please contact us through our website or email engineer@sdsecurity.com