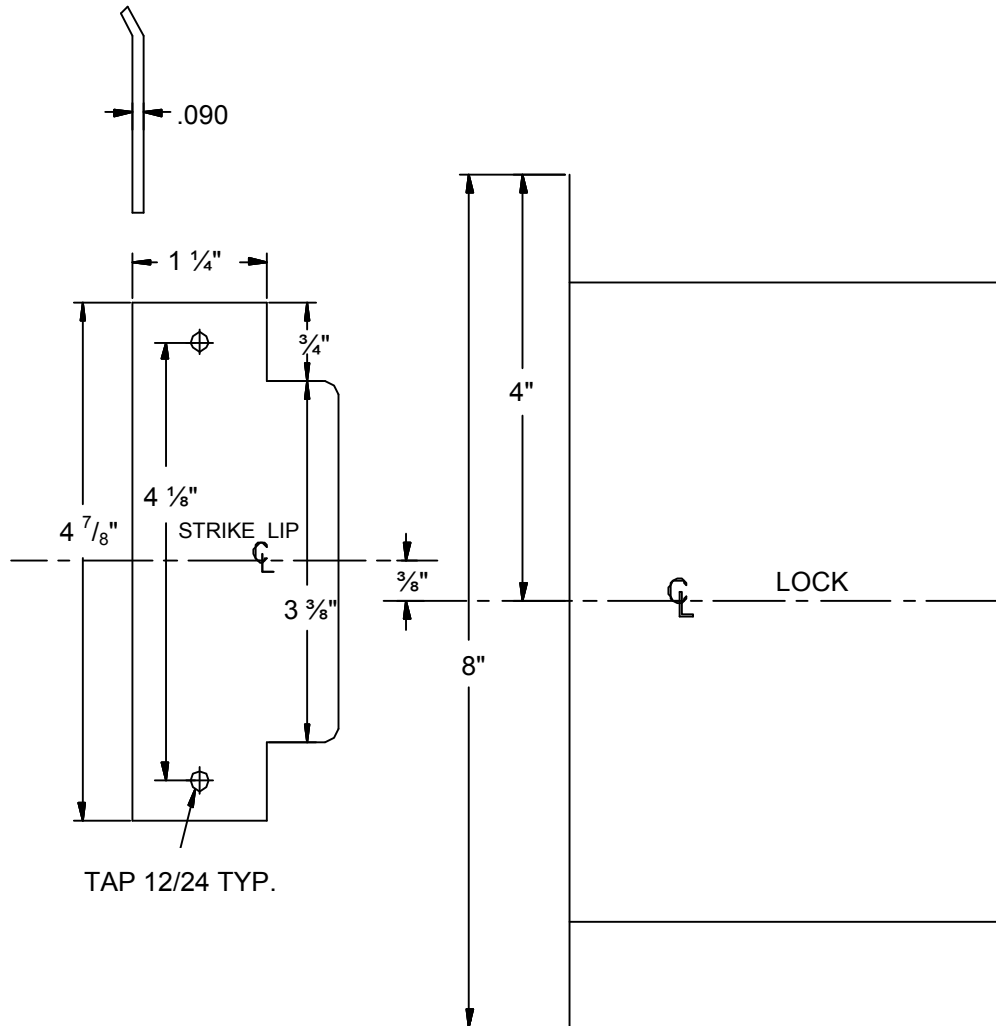




SECURITY DOOR CONTROLS

801 Avenida Acaso, Camarillo, Ca. 93012 • (805) 494-0622 • Fax: (805) 494-8861
 www.sdcsecurity.com • E-mail: service@sdsecurity.com

HITOWER ZR, R7500 SERIES TEMPLATE - 2" FRAMES



NOT TO SCALE

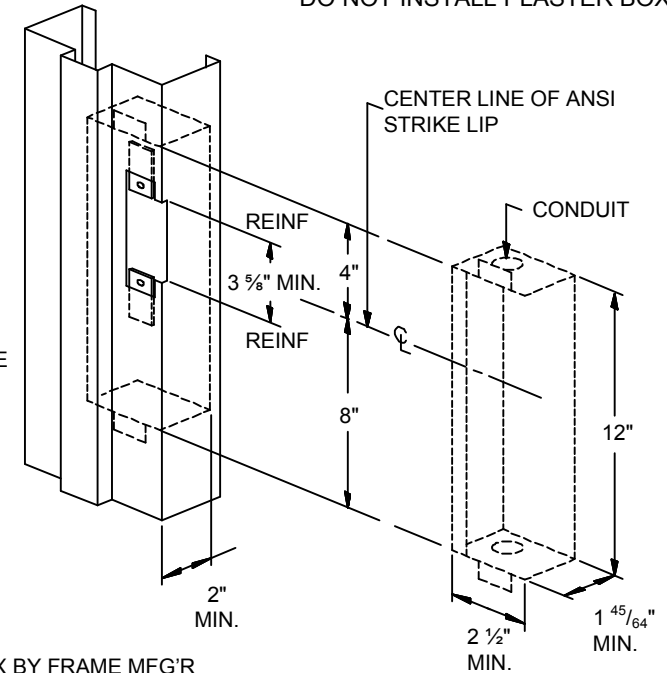
NOTE:
 CONCRETE/
 MASONRY
 DETAIL
 SHOWN

FOR STRIKE
 RELATION TO
 LOCK SEE
 LEFT SIDE OF
 TEMPLATE

NOTE:
 MINIMUM FRAME
 FACE 2"

RIGHT HAND
 SHOWN,
 LEFT HAND
 OPPOSITE

DO NOT INSTALL PLASTER BOX



ELECTRICAL BOX BY FRAME MFG'R

IMPORTANT

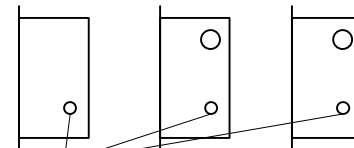
Details show space requirements for electric controller box. Allowances for different wall construction materials must be taken into consideration. Install conduit connectors in top of box before welding to frame.

NOTE:

THE 3-5/8" CLEARANCE BETWEEN THE STRIKE REINFORCEMENT TABS IS CRITICAL. *MAXIMUM THICKNESS OF TABS .125

UL LISTED BOX AS SHOWN AVAILABLE FROM SECURITY DOOR CONTROLS PART #5000EB-2

HOLES REQUIRED FUNCTIONS



KNOB B/SIDES	CYL OUTSIDE ONLY	CYL BOTH SIDES
7510	7520	7530
7540	7550	

Door Prep. Only

Identify the lock and manufacturer by letter prefix. Review proper manufactures template requirements for **door prep only**. See details far left and above for frame prep.

SOURCE #	MODEL #
ZR SDC	7500
R Schlage	L9080