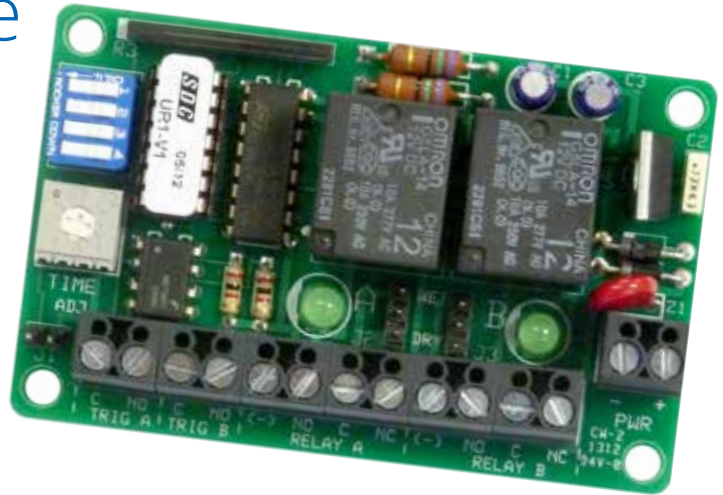


UR-1 Universal Field Programmable Application Module

UR Series Universal Door Controllers provide a choice of individual dip switch selectable relay operating modes or system modes for lock control, monitoring, communicating door or lock system logic. Relay output modes may be individually configured as a Dry Contact or Voltage (Wet) Output. Relays may be configured to work independently or in tandem with adjacent relay.



FEATURES

- Use the Same Controller for Multiple Applications
- **Microprocessor Based System Logic** Reduces Need for Communicating Door and Lock Contacts and Standalone Relays
- **Centralized Wiring** for Locks, Access Controls, Monitoring Contacts and Peripheral Equipment Provide Easy Troubleshooting and Enable Uniformity for Multiple Installation Applications
- **Multiple Selectable Relay & System Logic Modes:**
 1. Conventional Relays
 2. 2 Time Delay Relays, adj. 1-60 sec
 3. 1 Time Delay Relays x Anti-Tailgate input
 4. 2 Independent Latching Relays (1 N.O. trigger per relay (pulse on, pulse off)
 5. Tandem Latching Relays 2-SPDT (DPDT) output (Input (A) latch ON, Input (B) latch OFF)
 6. 1 Time Delay Relay, 1 Latching Relay
 7. 1 Time Delay Relay, 1 Control Relay
 8. 2 Door Airlock/Cleanroom System
 9. Communicating Bathroom System: Shared by 2 hospital or Dorm rooms. Exiting unlocks both doors, ensuring access for both rooms
 10. Manual Door Sequencer : For 1 or 2 single or double door openings with high inrush* locks or exit devices (not to exceed Power Supply Rating up to 7A)
 11. Automatic Door Sequencer: For 1 single or 1 double door opening with locks or exit devices
- **Relay Modes:** Selectable Contact Configuration Permit Installer Configuration per Application Requirements
 1. SPDT outputs jumper selectable Wet and/or Dry
 2. Selectable Independent or Tandem (Simultaneous, DPDT) Activation
 3. Each Tandem SPDT output may be Wet and/or Dry

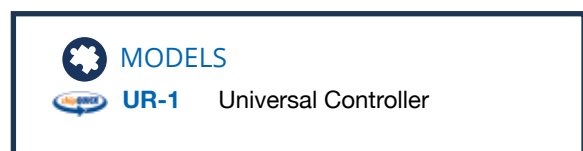
SPECIFICATIONS

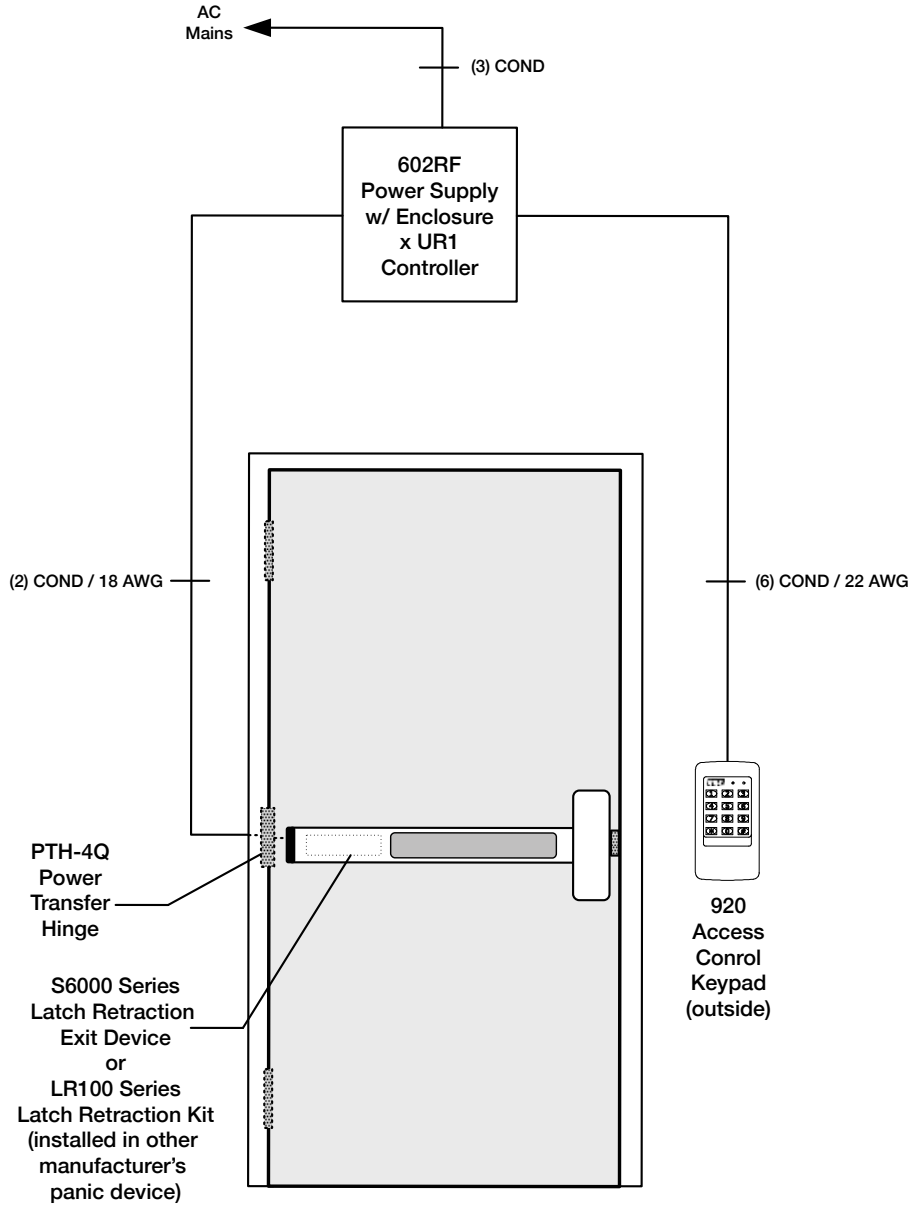
Input Voltage	Automatic Voltage Sensing 12VDC @ 120mA, 24VDC @ 175mA
Inputs	Two Form "A" SPST, N.O. Inputs a) Two (2) N.O. Dry Inputs for Individual Relay b) Tandem: Either N.O. Dry Input Triggers Both Relays
Outputs	<ul style="list-style-type: none"> • 2 Form "C" SPDT Outputs (N.C. Failsafe, N.O. Failsecure) • 10 Amps (resistive), 7 Amp (inductive) @ 30VDC • Wet (voltage) and/or Dry Output • Wet Output Voltage is Same as Module Input Voltage • Two (2) LED Relay Active Indicators

Relay Mode Output Configuration

- a) Two (2) Wet (Power) and/or Dry Outputs
- b) Tandem: Simultaneously Activates both SPDT Outputs

Dimensions 3.2" W x 2" L x 1" H





920 Access Control Keypad



LR100 Latch Retraction Retrofit Kit



PTH-4Q Power Transfer Hinge



602RF 1 Amp, 12/24 VDC Class 2 Output Power Supply

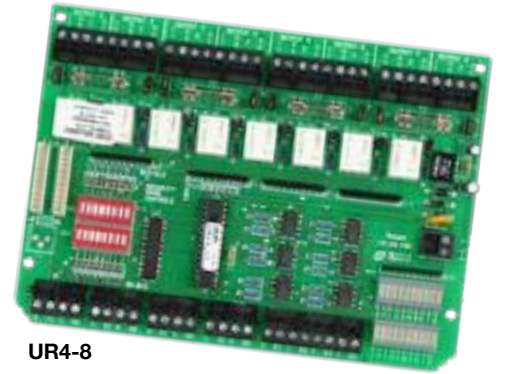


S6000 Latch Retraction Exit Device

UR2-4 and UR4-8 Universal Door Control Modules

Field Programmable Access Hardware Controller.

14 Field Selectable Station Modes & Systems. 7 Individually Selectable Relay Output Modes: Control Relay, Timed Relay, or Latching Relay Output. Dual Modes Control Relay & Timer. Latching & Timed. Control Latching. Controlled Relay/Controlled Relay. 7 Selectable System Modes: 5 Mantrap and Interlock Modes. 2 Communicating Bathroom Modes.



UR4-8



UR2-4

FEATURES

- Use the same controller for virtually all multi-door applications.
- Centralized wiring for all locks, access controls, monitoring contacts and peripheral equipment.
- On board logic reduces need for communicating door and lock contacts and standalone relays.
- Reduced wiring, easy troubleshooting.

PROGRAMMABLE SYSTEM MODES

System selection provides appropriate mode of operation for each input and output

- **Airlock/Interlock Mode A:** All doors normally unlocked, opening any door causes all other doors to lock.
- **Mantrap Mode B:** All doors normally locked. When any door is unlocked all other doors are incapable of unlocking.
- **3 Mantrap Mode C:** Select doors locked or unlocked. When unlocked door is opened, locked doors are incapable of unlocking. When a locked door is unlocked, normally unlocked doors lock and all other locked doors are incapable of unlocking.
- **Shared Hospital/Dorm Bathroom A:** Doors equipped with magnetic locks.
- **Shared Hospital/Dorm Bathroom B:** Doors equipped with electrified locksets.

PROGRAMMABLE STATION MODES

Each output may be individually programmed with its own mode of operation

- Conventional Relay
- Latching Relay, on/off
- Latch multi-station zones on/off or all stations on/off
- Time Delay Relay 1-60 seconds
- Dual function Latching on/off, plus 1-60 second Timed output when on.

MODELS

UR2-4 Universal Controller with 2 Fused SPDT Outputs and 2 Non-fused SPDT Outputs

UR4-8 Universal Controller with 4 Fused SPDT Outputs and 4 Non-fused SPDT Outputs

SPECIFICATIONS

Input Voltage 12 or 24VDC +/- 10%

Input Current 140mA Max. (UR2-4); 250mA Max. (UR4-8)

Dimensions UR2-4: 4.5" W x 5" H x 7/8" D
UR4-8: 7" W x 5" H x 7/8" D

Fit one (1) or two (2) in 600RFA enclosures

Inputs

UR2-4:
4-SPST, Dry, Optically Isolated (Relay)
4-SPST, NO Dry, Optically Isolated (Auxiliary)

UR4-8:
8-SPST, Dry, Optically Isolated (Relay)
4-SPST, NO Dry, Optically Isolated (Auxiliary)

Field Selectable Voltage Output or Dry Contact Outputs. Individually configured as a dry contact or 12 or 24VDC Voltage Output

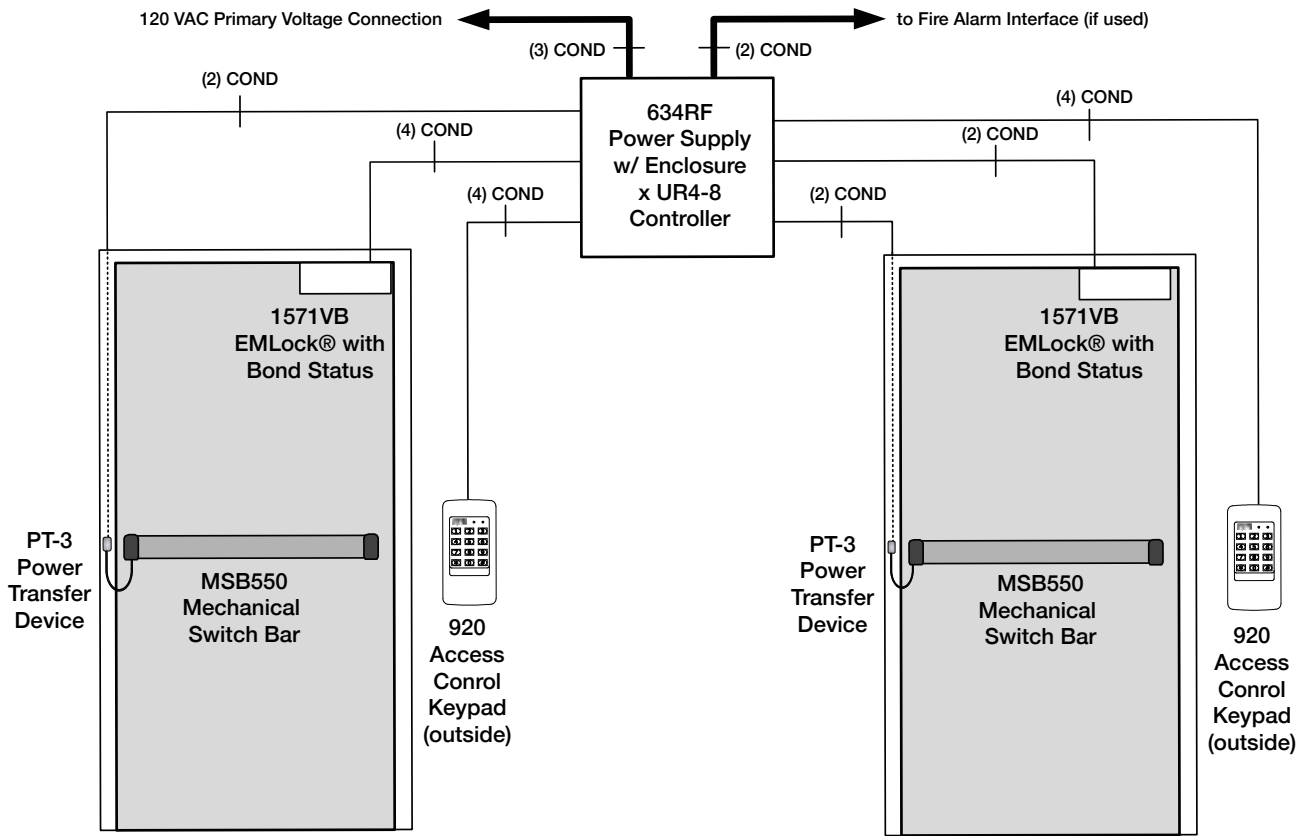
Outputs

UR2-4:
2 fused SPDT relays, 7 Amps @ 30VDC
2 non-fused SPDT relays, 7 Amps @ 30VDC

UR4-8:
4 fused SPDT relays, 7 Amps @ 30VDC
4 non-fused SPDT relays, 7 Amps @ 30VDC



MANTRAP MODE "B" - Only one door may be accessed at any time



920 Access Control Keypad



1571 EMLock® with Bond Status



PT-3 Power Transfer Device



MSB550 Mechanical Switch Bar



634RFA 4 Amp, 12/24 VDC
Class 2 Output
Power Supply
Cabinet fit one or two
Universal Door Control Modules