

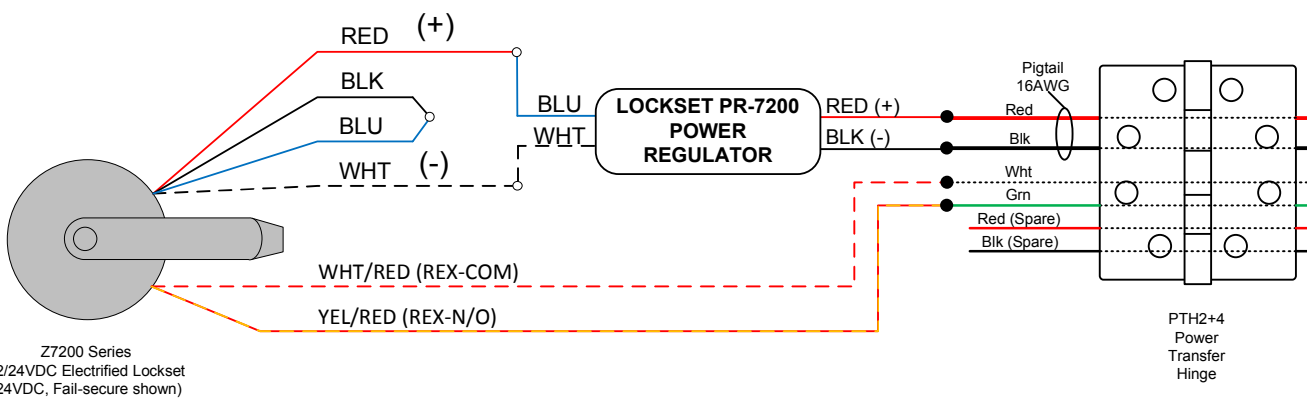
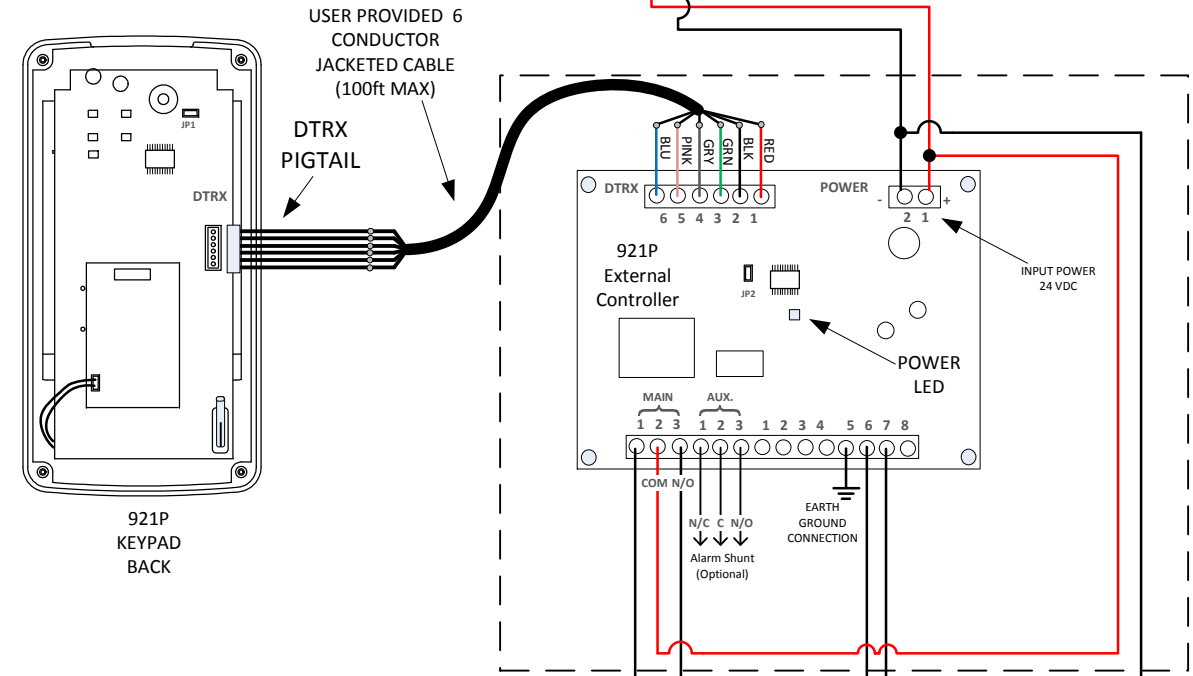
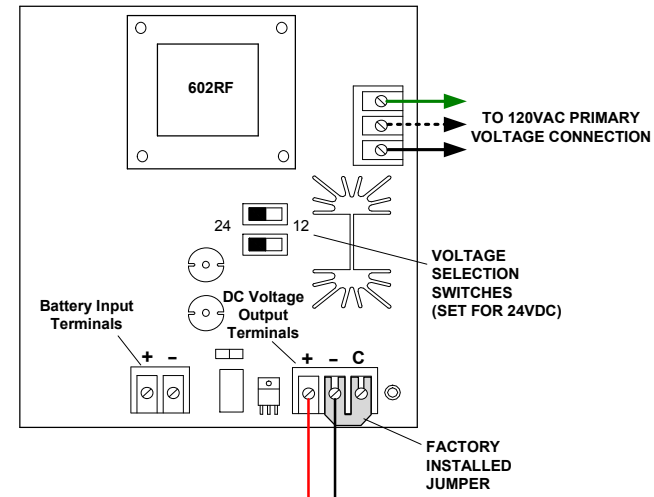
**Method of Operation**

Door normally closed and locked by electrified lockset. Electrified lockset can be Fail Safe or Fail Secure.

**Authorized Access** – Presenting a valid card at reader will momentarily unlock the door.

**Authorized Egress** – Free egress at all times by turning inside lever and opening door.

**Override Access** – By key in lockset



**PROGRAMMING NOTE**  
THE REQUEST-TO-EXIT (REX) INPUT OF THE EXTERNAL CONTROLLER SHALL BE PROGRAMMED TO TRIGGER THE AUXILIARY RELAY OUTPUT.

**NOTES:**

- (1) ALL LOW VOLTAGE SIGNAL WIRING SHALL BE 18-GAUGE MINIMUM. THE MINIMUM INDUCTIVE LOAD (LOCK) POWER WIRE GAUGE SHALL BE DETERMINED PER THE SDC WIRE GAUGE CHART. ALL WIRING (SINGLE OR MULTI-CONDUCTOR) SHALL BE COLOR CODED WITHOUT SPLICES. A MINIMUM OF TWO SPARE CONDUCTORS IS RECOMMENDED.
- (2) SPECIFY VOLTAGE WHEN ORDERING PRODUCTS. VOLTAGE IS NOT SPECIFIED ON THIS WIRE DIAGRAM, BE SURE ALL PRODUCTS ARE VOLTAGE COMPATIBLE.
- (3) ALL WIRING MUST CONFORM TO NATIONAL, STATE AND LOCAL CODES.
- (4) ALWAYS CONSULT WITH THE AUTHORITY HAVING JURISDICTION (AHJ) BEFORE INSTALLATION.
- (5) WHERE REQUIRED BY CODE, CONNECT FAILSAFE SYSTEMS TO THE LOCAL FIRE LIFE SAFETY SYSTEM FOR EMERGENCY RELEASE.
- (6) DOOR POSITION SWITCHES SHOWN WITH THE DOOR CLOSED

© Security Door Controls



**Security Door Controls**  
801 Avenida Acaso  
Camarillo, CA 93012  
f 805.494.0622 ~ f 805.494.8861  
www.sdcsecurity.com

NOTE: ALL WIRING MUST BE REVIEWED AND APPROVED BY THE PROJECT ENGINEER ASSIGNED TO THE LOCATION FOR ITS CORRECTNESS AND SUITABILITY FOR THE APPLICATION IN THE WHICH THE EQUIPMENT INSTALLED AND OPERATED. ALL WIRING MUST CONFORM TO NATIONAL, STATE, AND LOCAL CODES FOR CLASS 2 FIRE PROTECTION AND CONTROL DEVICES.

PROJECT NAME:  
Solution #3 - Single Access Controlled Door  
LOCATION: Access Hollow Metal or Wood Door

TITLE: Electrified Cylindrical Lockset Application  
DIST.: -  
CONTACT: service@sdsecurity.com

SO NO.: -  
DATE: -  
DRAWN BY: -  
DWG. NO.: -

REV A  
Page 1 of 1